

INDUCTION
COOKER

INSTRUCTION FOR INSTALLATION AND USE
NOTICE D'INSTALLATION ET D'EMPLOI
INSTRUCTIE VOOR INSTALLATIE EN GEBRUIK
NÁVOD K OBSLUZE A INSTALACI
INSTRUKCJE MONTAŻU I OBSŁUGI



RIB 3535 ET/N



www.rmgastro.com



CONTENT



Instruction for installation and use

3

CONTENU



Notice d'installation et d'emploi

13

INHOUD



Instructie voor installatie en gebruik

22

OBSAH



Návod k obsluze a instalaci

32

TREŚĆ



Instrukcje montażu i obsługi

42



INSTRUCTION FOR INSTALLATION AND USE

Specification

Model No.....	RIB-3535ET/N
Power Rate	3500W
Voltage	220-240V - 50/ 60Hz
Temperature	50°C .240°C
Turner	0-180 minutes

Important safeguards

To avoid damage or danger by improper use, this instruction manual should be read and followed carefully. Save the instruction manual together with the guarantee card and receipt for further reference. If you give the appliance to other persons, also supply them with this instruction manual.

Intended use: This appliance is suited for cooking and frying for domestic or commercial use. The appliance is not suited for outdoor use.

The safeguards must be followed closely and the appliance has to be used in the way indicated in the instruction manual. In case of damage and accidents caused by not following this instruction manual, the manufacturer assumes no liability.

- The surface of the cooking plate is made of temperature proofed glass. If the glass surface is damaged - even if it shows a very small break only, the appliance may not be used anymore. In such case immediately unplug the appliance.
- Connect your appliance to a grounded power socket with appropriate voltage (220-240V ~ 50/60 Hz).
- Do not connect other electrical appliances at the same socket and do not use multiple sockets.
- Make sure that the main installation is providing enough power to run this appliance. See the rating plate of the appliance to prove this.
- Run the cord in a way that nobody can stumble over it or pull on it. Take care that the cord never comes into contact with sharp edges and hot objects.
- Additional protection may be obtained by fitting an earth-leakage circuit-breaker (IF=30mA) into your home installation. Please consult a qualified electrician.
- **Caution! An electric appliance is no toy!** Never leave the appliance unsupervised when in use. This appliance is not intended for use by persons (including children) with reduced physical, sensory or mental capabilities, or lack of experience and knowledge, unless they have been given supervision or instruction concerning use of the appliance by a person responsible for their safety. Children should be supervised to ensure that they do not play with the appliance. Explain to your children all risks which can be caused by electric current:
 - Danger of heat or hot steam
 - Danger of sharp edges
 - Danger caused by electric current
- Keep the appliance at any time out of reach of children or persons who can not handle electric appliances properly. When plugged, the cord should not be reached by children to avoid hazard.
- Do not leave packaging components (plastic bags, cardboard, polystyrene, etc.) within the reach of children - danger of suffocation!
- **Caution! Danger of electric shock! Do not immerse cord, plug or appliance in water or other liquid to avoid any risk of electrical shock.**
 - never place the appliance on wet ground
 - to avoid electrical shock or short circuit never let the cord hang into water, other liquids or over the washing basin
 - do not use the appliance while standing on wet ground or if hands or the appliance are wet
 - do not pour or drip any liquids at the motor base or cord. When liquids are spilled on the motor base, immediately switch OFF, unplug and let dry the motor base thoroughly



- never wash the appliance and power cord in the dishwasher

- **Caution! Danger of burning and fire! Never touch the heated surfaces with the hands or other parts of skin. Never place other objects than cookware on the appliance when it is connected to the power supply. Do not place empty pots or other empty cookware on the appliance when it is operating.**
- When operating electrical heating-appliances (such as hot plates, hot pans or hot fat) please beware that high temperatures are achieved which may cause serious injuries. Please use handles or pot cloth if necessary. Inform other people using this appliance as well.
- Use the item only on heat-resistant surfaces, such as stone or ceramics and do not place the appliance near or on hot surfaces or near other strong heating devices.
- To avoid heat congestion, do not directly place the appliance next to a wall or under a wallcupboard. Make sure there is sufficient safe distance towards items which may easily melt or inflame. Do not store any objects which may easily melt or inflame near the appliance.
- Do not block the air supply and ventilation of the appliance.
- Never place or use the appliance on carpets or cloth or other objects which are easily inflammable.
- Do not place any kind of tissues or cloth or other objects which are easily inflammable under or on the appliance to avoid the risk of fire or electrical shock. Never store inflammable products near the appliance, they could catch fire.
- Do not place any empty containers, pots or any metal objects on the device while in operation. Do never overheat the cookware.
- Never pull on the cord to move the appliance. Never move the appliance while in operation or with hot cookware on it. Danger of burning!
- In case of flames never try to extinguish with water but take a damp cloth.



- **If the unit displays the error code E 0: no cooking ware on the cooking plate, or the cooking ware not suitable for using in this cooker; auto shut off after EO appears**
- **If the unit displays the error code E 1: temperature sensor overheat This can happen when temperature of the plate is too high. The unit will stop heating. E1 will disappear and the plate will function again automatically when the appliance has been cooled down. Also when the sensor is out of order, E 1 appears immediately and the machine will shut down immediately.**
- **If the unit displays the error code E 2: it has been overheated by too hot cookware. The boil dry protection activates. In this case unplug the appliance and let it cool down completely. When E2 is displayed the whole induction cooker including the temperature control setting will be completely locked up. 20 minutes later, the E 2 signal switches off and the induction cooker goes automatically back to stand-by mode.**
- **If the unit displays the error code E3: the automatic Voltage protection has been activated . This can happen if there is voltage fluctuation (e.g. when lightning during thunderstorm). As soon as the current is normal again E 3 goes back to normal function.**
- Do not place any ferro-magnetical objects near the appliance (i.e. TV, radio, credit cards, cassettes etc.) Do not place any empty cookware on the glass field. Heating an empty pot or pan activates the overheating protection and the device will turn off after a while.
- Do not operate the device if it is damaged in any way or does not function properly .
- Do not operate it when the appliance or any parts of it are damaged to avoid all risks. The appliance is damaged when there are any cracks, excessively broken or frayed parts, distortions or leaks. In this case, immediately stop to use the appliance and return the entire appliance (including any parts and accessories) to D.W. Haber service center for examination and repair.
- After each use let the device cool down sufficiently and clean it with a slightly damp cloth to prevent the surface from damage. Always handle with care. Do not use any abrasive cleaners or cleaning pads to avoid damage. Do not use any sharp or hard objects while cleaning the device. Do not leave any food residues dry on the surfaces of the appliance.

- Make sure to store the appliance on a dry clean place, safe from frost, excessive strain (mechanical or electrical shock, heat, moisture) and out of the reach of children.
- The use of accessories and spare parts that are not recommended by the manufacturer may cause damage to the device or injuries to person.

Unplug the appliance

- after each use and when the appliance is not in use
- before changing accessories or cleaning the appliance
- To unplug the appliance never pull on the cord, take the plug directly at its housing and unplug.
- From time to time check the cord for damages. Never use the appliance if cord or appliance shows any signs of damage as it could be dangerous.
- **Do not operate appliance when:**
 - power cord is damaged it has fallen down and shows visible damage or malfunction
 - In that case appliance must be sent to service centre to avoid any risks.
- If the power cord is damaged, it must be replaced by the manufacturer, its service agent or similarly qualified person (*) in order to avoid a hazard. All repairs should be made by a competent qualified electrician (*). Never try to open or repair the appliance yourself to avoid the risk of electrical shock.

(*)Competent qualified electrician: after sales department of the producer or importer or any person who is qualified, approved and competent to perform this kind of repairs in order to avoid all danger. In any case you should return the appliance to this electrician.

Scope of delivery

- Commercial induction plate
- Instruction manual

Before the first use

- Remove all packaging components and make sure that the appliance is in perfect condition.
- Before using for the first time clean the unit surface with a slightly moist cloth and dry (see „CLEANING INSTRUCTION“).

Operation

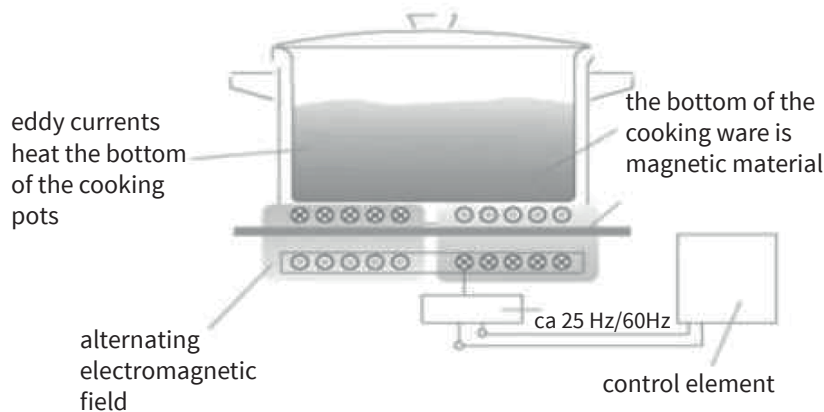
Caution! Danger of burning! The cooking plate surface is hot during use! Do not touch the hot cooking surface, the hot cookware or other hot parts.

Caution! Fire danger! Always keep enough distance to the walls, furniture curtain or towels. The appliance must not be placed next to easily inflammable objects. Ensure that the cord does not touch hot parts of the appliance like heating plate.

While in operation make sure the appliance never comes into contact with inflammable materials, such as curtains, cloth, paper etc., as a fire might occur. Never move the appliance while it is hot Let the unit cool down enough before cleaning and storing. Never use or place the appliance near a hotplate or a hot oven.

The function mode and product advantages of induction cooking plate

Function of an induction cooking plate



- The cookware has to be ferromagnetic. Before switching on the appliance always place the ferromagnetic cookware centred onto the cooking field.

Special notes for your safety:

- Persons with pace makers are, according of today's standards of knowledge, not al risk. In case of misuse or unfavourable situation, we cannot eliminate remaining risks. For persons with pace makers we would therefore recommend to consult a doctor before using induction cooking plates. Persons with a pacemaker should keep a minimum distance of 60 cm to the device while it is in operation.
- To avoid any risks do not place very big ferromagnetic objects (i.e. griddles) onto the cooking zone of the glass field Do not place other ferromagnetic objects than cookware (i.e. credit cards, TV, radio, cassettes near or on the glass surface of the induction cooking plate when it is in operation.
- Place the appliance on a stable, flat and dry surface which is large enough to work without any trouble, to eliminate the risk of falling down. Do not place the appliance al inflammable surfaces (ie. table cloth ...). Do not place the appliance near or onto hot surfaces or other strong heating devices (i.e. cookers, open fire, heaters ...).
- Use pans and other utensils suitable and designed for use with induction cooking plates and featuring the correct diameter of minimum 20 to 26 cm only. This will guarantee the best result
- It is recommended not to put metallic utensils (i.e. knives, pot or pan covers etc.) on the cooking plate in case of switching on the appliance, they might get hot.
- Do not insert any objects (i.e. wires, or tools into the ventilation slots.)
Attention! This may cause electrical shock.
- Do not touch the hot surface of the glass field Please note: Even though the induction cooking plate does not heat up itself du ring cooking, the temperature of the heated cookware heats up the cooking platel

The system of induction cooking

The induction cooking plate and the cookware placed on it build up one unit by reason of electromagnetism. The emerging energy will change into heat directly in the bottom of the cookware. This avoids heat loss which is caused by constant heating and permanent keeping warm on standard cooking plates. li is not necessary to preheat, the induction cooking plate When connected it always is in the „Standby Mode“, without any power consumption.

Technical operating mode

A copper induction spool under the glass plate generates an alternating electro-magnetic field. The eddy current creates magnetic fields which directly heat up the bottom of the cooking ware. The eddy current changes immediately into heat. The glass plate itself stays cold. But the hot bottom of the cookware releases its heat to the glass plate and heats it up. This means saving time and energy, because compared with common cooking plates the cookware is heated up, not the heating element and the glass plate itself. The heat input promptly adapts the changed settings and can be controlled in small steps. The induction cooking plate reacts to change settings just as far as a gas stove. The energy reaches the pot immediately without having to heat up other materials first. Induction technology combines fast reaction with the basic advantage of highly precise adjustment of the heat consumption.

Suitable cookware

The most important is that the heat conductance of the cooking ware is extremely well, to guarantee a constant heat distribution. The bottom of the cookware used with the induction plate has to be magnetic (ferromagnetic). Recommended for use are enamelled pots made of magnetic steel, roasting tins made of cast iron or special stainless steel cooking ware with a special steel „sandwich“ bottom. The specialized trade sells suitable cookware. Suitable is all cookware with a spiral symbol graven into its bottom.

Tip: Test with a magnet if the cookware you plan to use is suitable for induction cooking. Note: Do not use cookware made of glass, ceramic or aluminium. This kind of cookware is not suited for use with induction cooking plate.

Advantages of an induction cooking plate

- Energy transfer only while cookware is put on the cooking plate = maximum energy saving (up to ca. 50 %)
- Heat is generated in the bottom of the cookware and immediately directed into the food. The power preset is absorbed immediately into the cookware. This guarantees extremely high cooking speed.
- High effectiveness during parboiling and minimum power consumption during cooking reduces total energy consumption up to 30 % .
- Precise controlling guarantees quickly and tightly focused heat input.
- Basically the cooking area stays cold, only the redirection of heat of the cooking ware warms it up.
- As the induction cooking plate is only heated up by the heated cookware, the risk of scorching or burning in of food residues is reduced. The induction cooking plate does not stay hot as long as standard cooking plates (easy cleaning).
When the cookware is removed the device switches automatically into the Standby Model
- The device detects whether suitable cookware is placed on the cooking plate. If not, no energy is transmitted.
- When operating the induction cooking plate with empty cookware, a temperature sensor turns off the heating function in case of overheating.

Operating of the device

Caution! Never leave the appliance unattended when it is in operation!

Please follow the sequence below when adjusting the appliance. You can adjust temperature (degrees) by Touch sensor key and cooking time (minutes) within Switch“ +“ or „-“

The appliance provides 1 induction cooking plate.

Power levels: 500 / 700 / 900 / 1200 / 1500 / 1800 / 2000 / 2300 / 2700 / 3000 / 3300 / 3500W

Temperature levels: 60 / 80 / 100 / 120 / 140 / 160 / 180 / 200 / 240 °c

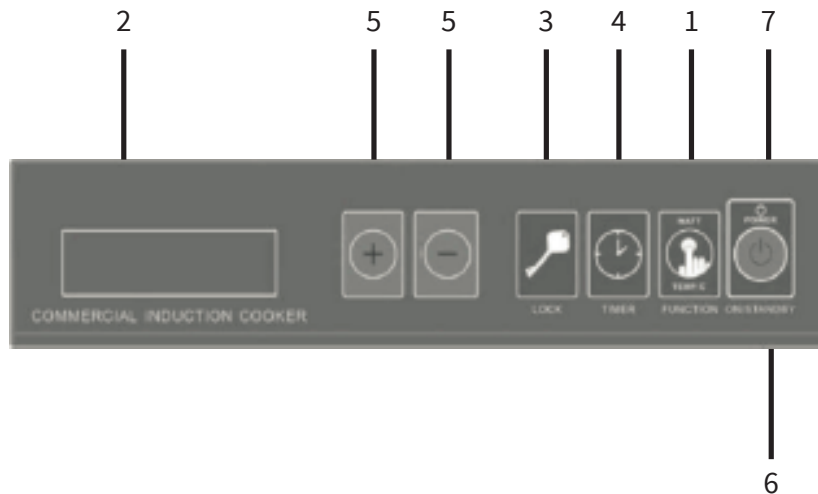
Time presetting: 0- 180 minutes (in 5 minule steps) (will default to 180 if not set)

Tip: When turning on the unit, it will default to temperature level 180.

- Before plugging always place suitable cookware filled with food centred onto the induction cooking plate. Otherwise error function will occur (see Chapter „Safety function“).
- Insert the plug into a suitable socket, a long acoustic signal resounds.
The display shows first 0000 and then automatically switches into Standby Mode.

Now press the ON/OFF switch to turn the device on. A short acoustic signal resounds (whenever you

- press button again or new button, a short acoustic signal resounds). The fan inside begins to work. The display now shows 180. This is an automatic presetting. The appliance is now in the temperature mode. Select the desired temperature higher or lower by sensor key (adjustable temperature: from 60 - 240). You can make adjustments of temperature mode manually by turning the Knobs.
- If desired, press the button „function“ to program the cooking time. Adjust the desired cooking time by pressing the arrow buttons. The time is adjustable from 0-180 minutes (5 minute steps). This is an optional timer. If you do not set the timer, it will default to 180 minutes and then shutoff for safety reasons.
- Lock key, Press the button „ Lock“ keep in 5 Seconds , The Induction plate going to the Locking control panel ,Except the ON/OFF key . Button the „ Lock“ Key, the Induction cooker going to unlock.



- 1 = Selection Function Key for Turning the Power and Holding Temperature
- 2 = LCD display shows the mode of adjustment
- 3 = Child Lock Key control
- 4 = Touch sensor key for turning into Timer function
- 5 = Touch sensor for turning into Higher or lower of time, Power levels and Temperature holding levels
- 6 = ON/OFF switch (On/Off)
- 7 = LED-Power indicator (On/off)

Cooking time will be indicated at the display by counting down the minutes. When cooking time is finished this will be indicated by several acoustic signals and the unit will switch off automatically. After finishing the cooking or keeping warm process always switch off the device and unplug. All functions can be adjusted manually by pressing the corresponding buttons. We recommend to follow the instructions in chapter „Operating of the device“. Do not use the appliance if it shows any sign of damage or malfunction. Please contact the customer service (see „Warranty claims“) in such case. Do not put empty cookware on the appliance and do not leave cookware too long on the appliance to avoid completely boiling away of the liquid. Overheating of cookware will activate the boil dry protection of the device.

Note: If the unit displays the error code E2, it has been overheated by too hot cookware. In this case turn off and unplug the appliance and let it cool down completely.

Safety functions

If you do not place cookware while the appliance is plugged but push the ON/OFF button, the appliance for safety reason will not switch into heating function. In this case the display will show first 6 and then E0 for error. Multiple acoustic signals will resound and the unit will be automatically switched into Standby Mode after approx. one minute.

If you remove the cookware while the appliance is in operation multiple acoustic signals will resound and the display will show E0 for error. The appliance will stop to heat and will switch into StandBy Mode within approximately 1 minute. When replacing the cookware onto the glass surface, you need to push the On/Off button for re-starting the cooking function again.

If the unit displays the error code E1 it shows temperature sensor overheat. This can happen when temperature of the plate is too high. The unit will stop heating. E1 will disappear and the plate will function again automatically when the appliance has been cooled down. Also when the sensor is out of order, E1 appears immediately and the machine will shut down immediately.

If the unit displays the error code E2, it has been overheated by too hot cookware. The boil dry protection activates. In this case unplug the appliance and let it cool down completely. When E2 is displayed the whole induction cooker including the temperature control setting will be completely locked up. 20 minutes time after, the E2 signal switches off and the induction cooker goes automatically back to stand-by mode.

If the unii displays the error code E 3 the automatic Voltage protection has been activated; this can happen if there is a voltage fluctuation in the power supply system (e.g. when lightning appears during thunderstorm). As soon as the current is normal again E3 goes back to normal function.

In error cases E1-3 for safety reason unplug the appliance and let it cool down.

Attention: After use and when the cooking or warming process is finished always switch OFF and unplug the appliance.

Usable and Non-usable Utensils

• Usable Pans

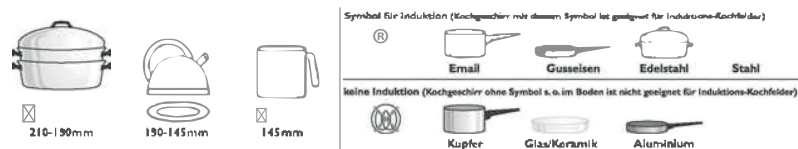
Most Induction Chafing Dishes, Steel or cast iron, enameled iron, stainless steel, flat-bottom pans / pots with diameter from 12 to 26cm.

Enameled Iron Pot ,Iron or Enameled Iron pot ,Castiron Pan,Iron Pot.Deep-ry Pot ,Iron Plate .

• Non-usable Pans

Heat-resistant glass, ceramic container, copper, aluminum pans/pots. Rounded bottom pans/pots with bottom measuring less than 12cm.

Rounded Bottom Pot. Aluminum Copper Pot. Bottom Measuring Less than 12cm,Pot with Stands, Ceramic pot. Heat-Resistant Glass Pot



Cleaning, maintenance and storing

Caution danger of burning and electric shock! Always switch off and unplug your appliance after use and before cleaning. Let the appliance cool down before cleaning and storage. Never immerse the appliance in water or clean it under running water.

- Wipe the plates and stainless steel surface with a damp cloth only.
- Clean the device after each use to remove food residues.
- Wipe off the glass plate and the plastic surfaces with a slightly damp cloth.
- Make sure that no water can come into the device.
- To avoid any danger or risk of electrical shock, never immerse the device or the cord into water or any other liquid. Do not put the device and the cord into the dishwasher!
- To avoid damaging the surface of the unit never use abrasive cleaners, cleaning pads or any sharp objects (i.e. metal scouring pads). If using metal objects to clean, the sensitive surface can be damaged easily by scratches. Always handle the appliance with care and without any force.
- Use of additional cleaning liquids is recommended for induction cooking-plates to extend their lifetime.
- Do not use any petrol products to clean the device to avoid damaging the plastic parts and the control panel.
- Do not use any flammable acidic or alkaline materials or substances near the device, as this may reduce the service life of the device and cause deflagration when the device is switched on.
- Make sure that the bottom of the cookware does not scrape across the glass field.

- When not in use store the device in a dry place. The appliance must be stored at a place which is unapproachable for children.

Technical data

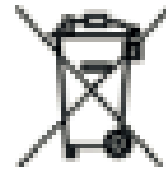
220 V-240V ~ 50/60 Hz, 3500 W I P23

This appliance is tested according to CE /ROHS regulations.

Disposal

Notice for environmental: If at any time in the future you should need to dispose of this product please note that waste electrical products should not be disposed of with household waste. The symbol (crossed dustbin see on the right side) on the packing is indicating it. Please recycle where facilities exist.

Check with your local authority or retailer for recycling advice.
(Waste Electrical and Electrical Equipment Directive)

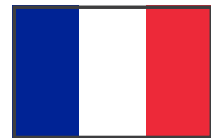


Warranty claims

The warranty claim must be verified by the warranty card and receipt with the date of purchase. The guarantee period for this appliance is 12 months. The guarantee starts from the date of purchase (cash receipt). In case of malfunction you may send the appliance to your dealer, add information about the malfunction and the original purchase receipt (which is obligatory for a repair free of charge) Within the guarantee period we repair defects of the appliance, which are based on material or manufacturing faults, in our choice by repair or exchange. These obligations do not extend the period of guarantee. No claim on a new period of guarantee results from it. An exact description of the complaint reduces the processing time. We apologise for any inconvenience, that any claims of good-will are excluded:

- in case of breakage, as e.g. glass, porcelain or plastic
- in case of damages in transport, misuse, as well as in case of lack of care, cleaning and maintenance and in case of non observance of operation or mounting instructions
- in case of chemical and/or electrochemical effects
- in case of operation with wrong type of current respectively voltage and in case of connecting to unsuitable power sources
- in case of abnormal environmental conditions and in case of strange operation conditions
- as well as then, if repairs are made by persons, who are not authorised by us or
- if our appliances are equipped with spare parts, supplementary parts or accessories, which are not original parts or if contact with unsuitable material have caused the damage

Subject to technical alterations.



NOTICE D'INSTALLATION ET D'EMPLOI

Mesures de protection importantes

Pour éviter le risque d'endommagement ou d'utilisation incorrecte, lisez attentivement ce mode d'installation et d'emploi et respectez-le. Gardez ce mode conjointement avec le bulletin de garantie et la quittance pour utilisation ultérieure. Si vous passez l'appareil à d'autres personnes, veuillez leur transmettre ce mode d'installation et d'emploi.

Utilisation prévue : destiné à une utilisation domestique ou commerciale, cet appareil convient à la cuisson et à la friture. L'appareil ne convient pas à l'utilisation à l'extérieur.

Les mesures de protection doivent

être soigneusement respectées et l'appareil doit être utilisé conformément au mode d'emploi. Le fabricant décline responsabilité pour les dommages occasionnés par le non-respect des dispositions de ce mode d'emploi.

- La surface de la plaque de cuisson est fabriquée en verre trempé. Si la surface est endommagée, même s'il y a une petite fissure, l'appareil ne doit plus être utilisé. Dans ce cas, retirez immédiatement le câble d'alimentation de la prise.
- Raccordez votre appareil à la prise de réseau mise à la terre (alimentation électrique : 220-240V - 50/60 Hz).
- Ne raccordez pas d'autres appareils électriques à la même prise, n'utilisez pas de multiprises.
- Assurez-vous que l'alimentation électrique est assez puissante pour démarrer cet appareil. Pour vérifier, voir la plaque signalétique de l'appareil.
- Installez le câble d'alimentation de telle façon que personne ne trébuche ni tire sur ce câble. Veillez à ce que le câble n'entre en contact avec des arêtes vives et des objets chauds.
- Vous pouvez obtenir une protection supplémentaire en ajoutant un disjoncteur de protection (IF=30 mA) à votre installation domestique. En cas de doute, veuillez consulter un électricien qualifié.
- **Avertissement !** L'appareil électrique n'est pas un jouet d'enfant. Ne laissez jamais l'appareil sans surveillance si celui-ci est en service. Cet appareil n'est pas destiné à être utilisé par les personnes (et notamment les enfants) ayant des capacités physiques, sensorielles ou mentales réduites ou manquant d'expérience ou de connaissances, à moins d'être supervisées ou d'avoir reçu des instructions concernant l'utilisation de l'appareil par une personne responsable de leur sécurité. Veuillez surveiller les enfants afin d'assurer qu'ils ne jouent pas avec l'appareil.
- Expliquez à vos enfants tous les risques relatifs à des blessures causées par le courant électrique – Risque de vapeur chaude
 - Risque d'arêtes vives
 - Risques liés à l'électricité
- Tenez cet appareil toujours hors de portée des enfants ou des personnes qui ne peuvent pas utiliser correctement les appareils électriques. Après le branchement de l'appareil sur le secteur, le câble ne devrait pas être à la portée des enfants.
- Ne laissez pas les parties de l'emballage (sachets plastiques, carton, polystyrène, etc.) à la portée des enfants - risque d'étouffement !
- **Avertissement !** Risque de blessure par le courant électrique ! N'immergez pas le câble, la prise de branchement ou l'appareil dans l'eau ou tout autre liquide afin de prévenir une blessure par le courant électrique.
 - ne posez jamais l'appareil sur un sol mouillé
 - ne pas laisser le câble suspendu au-dessus de l'eau ou d'un autre liquide ou au-dessus du lavabo pour prévenir une blessure par le courant électrique ou un court-circuit
 - n'utilisez pas l'appareil si vous restez debout sur un sol mouillé ou si vos mains ou l'appareil sont mouillés
 - ne pas verser ni goutter de liquides dans le moteur ou le câble. Si des liquides se répandent sur le moteur, ÉTEIGNEZ immédiatement l'appareil, débranchez-le du secteur et laissez sécher le moteur.
 - ne lavez jamais l'appareil et le câble d'alimentation dans un lave-vaisselle.

- **Avertissement !** Risque de brûlures et d'incendie ! Ne pas toucher les surfaces chaudes avec les mains ou d'autres parties du corps. Ne posez aucuns autres objets que les ustensiles sur l'appareil raccordé à l'alimentation électrique. Ne posez pas de marmites vides ou d'autres ustensiles vides sur l'appareil lorsque celui-ci est en service.
- Lors de l'utilisation des appareils chauds (par ex. plaques chauffantes électriques, bouilloires électriques, etc.), veuillez agir avec prudence car les hautes températures atteintes pendant leur fonctionnement peuvent causer des blessures graves. Utilisez les poignées isolantes ou les gants isolants de cuisine si nécessaire.
- Veuillez en informer toutes les personnes utilisant l'appareil.
- N'utilisez ce dessous que pour les surfaces résistantes à la chaleur, telles que la pierre ou la céramique, et ne placez pas cet appareil à proximité d'une surface chaude ou sur celle-ci ou à proximité d'autres appareils de chauffage performants.
- Pour éviter la surcharge thermique, ne placez pas cet appareil très près d'un mur ou d'un placard mural. Assurez-vous que les distances entre la plaque de cuisson et les objets facilement fusibles ou inflammables sont suffisantes.
- À proximité de l'appareil, ne stockez aucuns objets facilement fusibles ou inflammables.
- Ne pas bloquer l'entrée d'air et l'aération de l'appareil.
- Lors de l'utilisation, ne placez jamais cet appareil sur des tapis ou d'autres objets qui sont facilement inflammables.
- Ne placez pas de tissus ou d'autres objets qui sont facilement inflammables sous l'appareil. Il y a un risque d'incendie ou de blessure par le courant électrique. Ne stockez jamais de produits inflammables à proximité de l'appareil. Ils pourraient s'enflammer.
- Ne posez pas de marmites vides ou d'objets métalliques sur l'appareil lorsque celui-ci est en service. Ne jamais surchauffer les ustensiles.
- Ne déplacez jamais l'appareil en tirant sur le câble d'alimentation. Ne déplacez jamais l'appareil lorsque celui-ci est en service ou si un ustensile chaud est sur l'appareil. Risque de brûlures !
- En cas de flammes, n'essayez jamais de les éteindre avec de l'eau, mais utilisez un chiffon mouillé.
- Si l'unité affiche le code d'erreur E0 : aucun ustensile de cuisine n'est sur la plaque de cuisson, ou l'ustensile de cuisine ne convient pas pour cet appareil. Après affichage du code E0, l'appareil s'éteint automatiquement.
- Si l'unité affiche le code d'erreur E1 : le capteur de température est surchauffé. Cela peut arriver si la température de la plaque est trop haute. L'unité arrête le chauffage. Le code E1 disparaît et la plaque recommence à fonctionner automatiquement dès que l'appareil refroidit.
- Si le capteur tombe en panne, le code V1 s'affiche immédiatement et l'appareil s'éteint immédiatement.
- Si l'unité affiche le code d'erreur E2 : une surchauffe causée par un ustensile trop chaud. Une protection par évaporation est activée. Dans ce cas, débranchez l'appareil du secteur et laissez-le refroidir complètement.
- Le code E2 s'affiche, toute la plaque de cuisson à induction, y compris l'ajustage de la commande de température, sera bloquée complètement. Après 20 minutes, le signal E2 s'éteint et la plaque de cuisson à induction rentre automatiquement en mode veille.
- Si l'unité affiche le code d'erreur E3 : la protection automatique contre la surtension est activée. Cela peut arriver s'il y a fluctuation de la tension (par ex. lors des foudres pendant un orage). Dès que le courant redevient normal, le code E3 retourne à sa fonction normale.
- Ne posez aucuns objets ferromagnétiques (téléviseur, poste de radio, cartes de crédit, etc.) à proximité de l'appareil. Ne pas poser d'ustensiles de cuisine vides sur les zone en verre. Dès que le courant redevient normal, le code E3 retourne à sa fonction normale.
- N'utilisez pas l'appareil s'il est endommagé ou s'il ne fonctionne pas correctement.
- N'utilisez pas l'appareil si n'importe quelle partie de l'appareil est endommagée afin d'éviter tous risques. L'appareil est endommagé s'il a des fissures de n'importe quelle taille, des déformations ou des non étanchéités.
- Dans ce cas, cessez immédiatement d'utiliser l'appareil et retournez tout l'appareil (y compris les accessoires) au Service après-vente.
- Après chaque utilisation, laissez l'appareil suffisamment refroidir et nettoyez-le avec un chiffon un peu mouillé afin d'éviter l'endommagement de la surface. Toujours manipuler l'appareil avec précaution. N'utilisez pas de détergents abrasifs ni d'éponge avec une surface rugueuse afin d'éviter l'endommagement.

- Lors du nettoyage de cet appareil, n'utilisez pas d'objets tranchants ou durs. Ne pas laisser sécher des restes d'aliments sur la surface de l'appareil.
 - Assurez-vous que vous rangez l'appareil dans un endroit sec et propre, protégé contre le gel et les efforts excessifs (mécanique, électrique, thermique, d'humidité) et hors la portée des enfants.
 - L'utilisation des accessoires et des pièces de rechange qui ne sont pas recommandés par le fabricant peut causer un endommagement de l'appareil ou des blessures des personnes.
 - **Toujours débranchez l'appareil du secteur :**
 - après chaque utilisation
 - si vous n'utilisez pas l'appareil, avant le changement d'accessoires ou le nettoyage de l'appareil.
 - Lors du débranchement de l'appareil, ne tirez pas sur son câble d'alimentation.
 - De temps en temps, vérifiez visuellement le câble d'alimentation qu'il n'est pas endommagé. N'utilisez pas l'appareil si le câble ou l'appareil lui-même sont endommagés. Cela pourrait être dangereux.
 - **N'utilisez pas l'appareil si :**
 - le câble d'alimentation est endommagé
 - l'appareil est tombé et présente des pannes ou des endommagements visibles.
Dans ce cas, envoyez l'appareil dans un atelier de service professionnel pour prévenir tous risques.
 - Si le câble d'alimentation est endommagé, celui-ci doit être changé par le fabricant, le représentant de service ou une autre personne pareillement qualifiée (*). Toutes les réparations doivent être effectuées par un électricien qualifié compétent (*). Ne tentez jamais d'ouvrir ou de réparer l'appareil vous-même, il y a un risque de blessure par le courant électrique.
- (*) Électricien qualifié compétent : employé du service après-vente du fabricant ou de l'importateur ou n'importe quelle personne qualifiée, autorisée et compétente à l'exécution de ce type de réparations. En tout cas, vous devriez remettre l'appareil à cet électricien.

Étendue de la fourniture

- Plaque de cuisson à induction commerciale
- Mode d'emploi

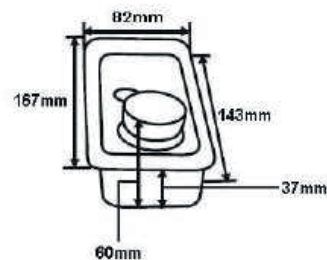
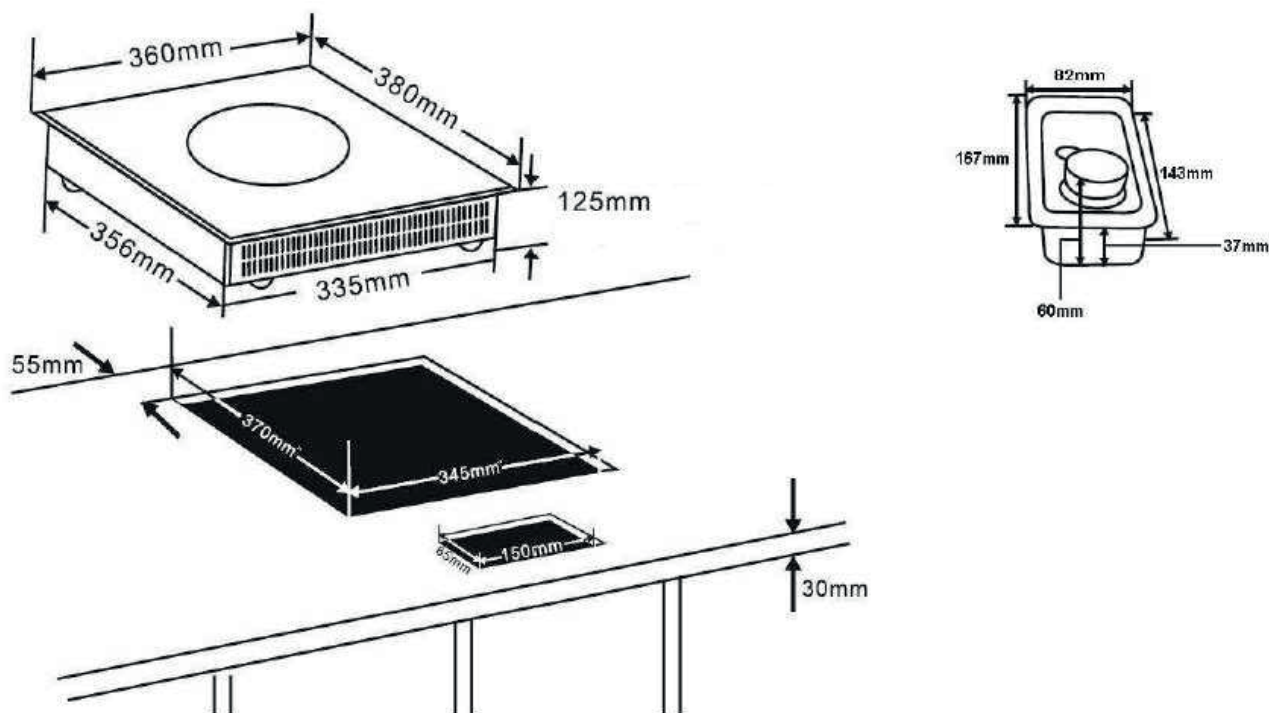
Avant la première utilisation

- Enlevez toutes les parties de l'emballage et assurez-vous que l'appareil est en parfait état.
- Avant la première utilisation, nettoyez la surface de l'unité avec un chiffon un peu mouillé et séchez-la (voir les instructions relatives au nettoyage).

Installation encastrée

Avant l'installation de la plaque de cuisson à induction dans un plan de travail.

- Assurez-vous que la surface de la plaque de cuisson à induction est absolument propre.
- Assurez-vous que le cadre de la plaque de cuisson à induction est plat. Assurez-vous que la surface de l'armoire est absolument plate.
- Important : Assurez-vous que les dimensions et les distances de la plaque de cuisson à induction encastrable sont correctes (voir le schéma ci-dessous).



Fonctionnement

Avertissement ! Risque de brûlures ! Pendant le fonctionnement, la surface de la plaque de cuisson est chaude ! Ne touchez la surface chaude de la plaque de cuisson, des ustensiles chauds ou d'autres parties.

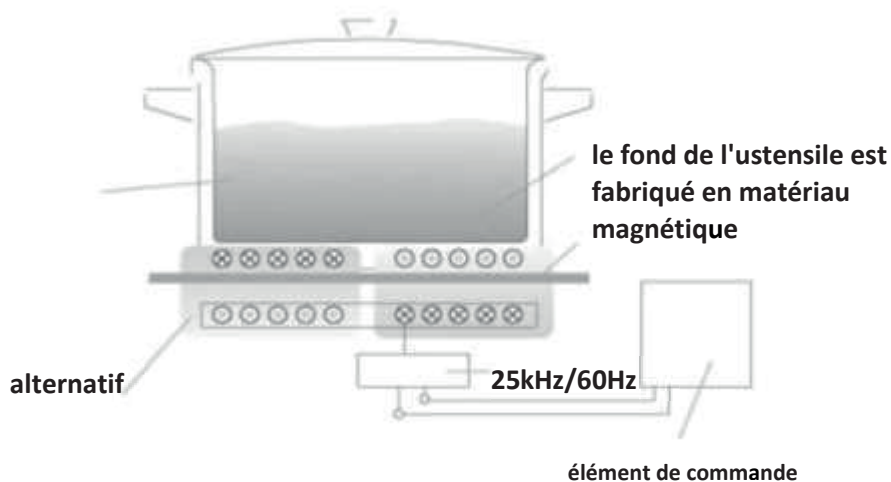
Avertissement ! Risque d'incendie. Maintenez toujours une distance suffisante entre l'appareil et les murs, le mobilier, les rideaux ou les serviettes. L'appareil ne doit pas être placé à côté d'objets facilement inflammables. Assurez-vous que le câble ne touche pas les parties chaudes de l'appareil (par ex. de la plaque de cuisson).

Une fois l'appareil en service, assurez-vous qu'il ne peut pas entrer en contact avec des matériaux inflammables (rideaux, tissus, papier, etc.). Sinon, il y a un risque d'incendie. Ne déplacez jamais l'appareil lorsqu'il est chaud. Laissez l'appareil suffisamment refroidir avant le nettoyage et le rangement. N'utilisez pas ni ne placez l'appareil à proximité des plaques de four ou des fours chauds.

Modes fonctionnels et avantages de la plaque de cuisson à induction

Fonctionnement de la plaque de cuisson à induction

Les courants de Foucault chauffent le fond de la marmite



champ électromagnétique

- Les récipients utilisés pour la cuisson par induction doivent être ferromagnétiques. Avant d'allumer l'appareil, placez l'ustensile ferromagnétique au centre du champ de cuisson.

Remarques spéciales relatives à votre sécurité :

- Selon les normes actuelles, les personnes avec stimulateur cardiaque ne sont pas en danger. En cas d'abus ou d'une situation défavorable, nous ne savons pas traiter les risques résiduels. Nous recommandons aux personnes avec stimulateur cardiaque de consulter le médecin avant d'utiliser les plaques de cuisson à induction. Les personnes avec stimulateur cardiaque devraient se tenir à une distance minimale de 60 cm par rapport à l'appareil qui est en service.
- Pour éviter les risques, ne posez pas de très grands objets ferromagnétiques (i.e. poêles à crêpes) sur la zone de cuisson du champ en verre. Ne posez pas d'autres objets ferromagnétiques (i.e. cartes de crédit, téléviseur, poste de radio, cassettes) à proximité ou sur la surface en verre de la plaque de cuisson à induction si l'appareil est en service.
- Placez l'appareil sur une surface stable, plate et sèche qui est suffisamment grande afin que l'appareil puisse fonctionner sans problèmes et qu'il ne tombe pas. Ne posez pas l'appareil sur des surfaces inflammables (telles que la nappe,...). Ne placez pas l'appareil à proximité ou sur les surfaces chaudes ou d'autres équipements de chauffage (par ex. réchauds, feu ouvert, réchauffeurs,...).
- N'utilisez que les poêles et autres ustensiles appropriés dont le diamètre minimal est de 20 à 26 cm et destinés à être utilisés sur la plaque de cuisson à induction. Cela vous assure d'obtenir le meilleur résultat possible.
- Il n'est pas recommandé de poser les ustensiles métalliques, tels que les couteaux ou les couvercles de poêles, sur la plaque de cuisson pendant le fonctionnement de l'appareil ; ils se chauffent assez vite.
- N'insérez aucuns objets (par ex. les fils ou les outils) dans des orifices d'aération.
- **Avertissement !** Il y a un risque de blessure par le courant électrique.
- Ne touchez pas la surface chaude du champ en verre. Attention ! Pendant la cuisson, la plaque de cuisson à induction ne chauffe pas d'elle-même, mais s'échauffe à travers les ustensiles chauds !

Système de cuisson à induction

Dans le domaine de l'électromagnétisme, la plaque de cuisson à induction et les ustensiles posés sur la plaque forment une unité.

L'énergie générée par une induction se transforme en chaleur directement dans le fond d'un ustensile.

Cela permet de minimiser les pertes de chaleur qui sont engendrées par un chauffage constant et un maintien permanent de la chaleur en cas de plaques chauffantes standard. Il n'est pas nécessaire de préchauffer les plaques de cuisson à induction. Après leur branchement sur le secteur, elles sont toujours "en mode veille » et sans consommation d'énergie supplémentaire.

Mode technique de fonctionnement

La bobine d'induction en cuivre génère un champ électromagnétique alternatif.

Les courants de Foucault créent un champ magnétique qui chauffe directement les parties inférieures des ustensiles de cuisine. Ces courants de Foucault se transforment immédiatement en chaleur. La plaque de verre elle-même reste froide. Mais le fond chaud de l'ustensile transmet sa chaleur à la plaque de verre et ainsi la chauffe. Cela constitue un gain de temps et une économie d'énergie. En comparaison avec les plaques de cuisson courantes, les ustensiles de cuisine sont chauffés et non l'élément chauffant et la plaque de verre elle-même. La puissance thermique s'adapte immédiatement aux ajustages modifiés et peut être réglée étape par étape. La plaque de cuisson à induction réagit sur les modifications de l'ajustage de la même façon que la cuisinière à gaz. L'énergie atteint immédiatement la casserole sans que d'autres éléments doivent être chauffés. La technologie d'induction relie la réaction rapide à l'avantage de pouvoir ajuster précisément la consommation de la chaleur.

Ustensiles de cuisine appropriés

Plus important encore, la conductivité thermique des ustensiles de cuisine doit être extrêmement bonne afin d'assurer la répartition uniforme de la chaleur. Le fond de l'ustensile de cuisine utilisé doit être magnétique (ferromagnétique). Il est recommandé d'utiliser les marmites émaillées fabriquées en acier magnétique, les moules de cuisson fabriqués en fonte ou en inox spécial, les ustensiles de cuisine avec fond sandwich. Les ustensiles de cuisine appropriés sont vendus dans les magasins spécialisés. Tous les ustensiles de cuisine marqués d'un symbole de spirale sont appropriés.

Tuyau : Utilisez un aimant pour tester que votre ustensile de cuisine convient pour la cuisson à induction.

Remarque ! N'utilisez pas d'ustensiles de cuisine fabriqués en verre, en céramique ou en aluminium. Ce type d'ustensiles de cuisine ne convient pas pour la cuisson à induction.

Avantages de la plaque de cuisson à induction

- Transmission d'énergie uniquement après que les ustensiles sont posés sur la plaque de cuisson = une économie d'énergie maximale (jusqu'à env. 50 %)
- La chaleur est générée dans la partie inférieure de l'ustensile et orientée immédiatement vers les denrées alimentaires. La puissance donnée est absorbée immédiatement dans les ustensiles de cuisine. Cela assure une extrêmement grande vitesse de cuisson.
- La haute efficacité lors de la pré-cuisson et la consommation d'énergie minimale pendant la cuisson diminuent la consommation d'énergie totale de presque 50 %.
- La commande précise assure une puissance thermique rapide et bien orientée.
- L'espace de cuisson reste froid, il n'est chauffé que par la chaleur provenant des ustensiles.
- Comme la plaque de cuisson à induction n'est chauffée que par les ustensiles de cuisine échauffés, le risque de brûlure est fortement réduit. La durée pendant laquelle la plaque de cuisson à induction reste chaude est plus courte que celle de la plaque de cuisson standard (nettoyage facile).
- Dès que l'ustensile est enlevé, l'appareil commute automatiquement en mode veille.
- L'appareil reconnaît si un ustensile approprié est placé sur la plaque de cuisson. Sinon, aucune énergie n'est transmise.
- Si vous posez les ustensiles vides sur la plaque de cuisson lors de son fonctionnement, le capteur de température coupe la fonction de chauffage en cas de surchauffe.

Fonctionnement de l'appareil

Avertissement ! Ne laissez jamais l'appareil sans surveillance si celui-ci est en service !

Pour ajuster l'appareil, veuillez procéder comme suit : Vous pouvez ajuster la température en C° en utilisant la touche tactile du capteur et le temps de cuisson à l'aide des boutons "+" ou "-".

Cet appareil est doté d'une plaque de cuisson.

Degrés de puissance : 1 / 2 / 3 / 4 / 5 / 6 / 7 / 8 / 9 / 10

Degrés de température : 60 / 80 / 100 / 120 / 140 / 160 / 180 / 200 / 240 °C

Tuyau : Lors de l'enclenchement de l'appareil, le degré de température initial est de 180.

Avant de brancher l'appareil sur le secteur, placez toujours un ustensile de cuisine rempli avec un repas au centre de la plaque de cuisson à induction. Dans le cas contraire, une fonction d'erreur s'affiche (voir le chapitre "Fonctions de sécurité").

- Branchez l'appareil sur une prise de courant appropriée. Un long signal acoustique retentit.
- D'abord, **0000** s'affichent sur l'écran. Ensuite, l'appareil commute automatiquement en mode veille.

- Maintenant, appuyez sur le bouton MARCHE/ARRÊT pour allumer l'appareil. Un court signal acoustique retentit (chaque fois que vous appuyez de nouveau sur cet interrupteur ou si vous appuyez sur un autre interrupteur, un court signal acoustique retentit). Le ventilateur situé à l'intérieur commence à fonctionner. **180** s'affiche sur l'écran. C'est la présélection automatique. Maintenant, l'appareil est en mode veille. Avec la touche de capteur (température réglable de 60 à 240 °C), choisissez la température voulue. Vous pouvez effectuer des changements du mode de température manuellement en tournant les volants.
- Si besoin est, appuyez sur le bouton "fonction" pour programmer le temps de cuisson. Vous pouvez ajuster le temps de cuisson en appuyant sur les boutons à flèche. Ce temps est réglable dans une gamme comprise de 0 à 180 minutes (par étapes de 5 minutes). Il s'agit du temporisateur supplémentaire. Si vous n'avez pas ajusté le temporisateur, il sera ajusté à la valeur initiale égale à 180 minutes. Après ce temps, l'appareil s'éteint pour des raisons de sécurité.
- Clé de blocage - Appuyez sur la touche "Verrou" pendant 5 secondes. Le panneau de commande de la plaque de cuisson à induction est verrouillé à l'exception du bouton MARCHE/ARRÊT. À l'aide de la touche "Verrou", on déverrouille la plaque de cuisson à induction.

Le temps de cuisson est indiqué sur l'écran à l'aide d'un minuteur décomptant les minutes. La fin de la cuisson est indiquée par quelques signaux acoustiques et l'appareil s'éteint automatiquement. Une fois la cuisson ou le maintien de la température achevés, coupez l'alimentation de l'appareil et débranchez le câble du secteur. Vous pouvez ajuster toutes fonctions en appuyant sur les boutons respectifs. Nous vous recommandons de procéder selon les instructions dans le chapitre "Utilisation de l'appareil". N'utilisez pas l'appareil si celui-ci présente des signes d'endommagement ou de défauts ; dans ce cas, veuillez contacter le service client (voir "Réclamations"). Ne placez pas les ustensiles de cuisine vides sur l'appareil. Ne chauffez pas l'ustensile de cuisine trop longtemps pour éviter l'évaporation complète du liquide. La surchauffe de l'ustensile de cuisine va activer la protection contre la cuisson sèche.

Remarque : Si l'unité affiche le code d'erreur E2 : une surchauffe causée par un ustensile trop chaud. Dans ce cas, débranchez l'appareil du secteur et laissez-le refroidir complètement.

Fonctions de sécurité

Dans le cas où vous ne placez pas l'ustensile de cuisine et l'appareil est branché sur le secteur et vous appuyez sur le bouton MARCHE/ARRÊT, l'appareil ne commute pas sur le chauffage pour des raisons de sécurité. Dans ce cas, il est affiché d'abord 6 et ensuite le code d'erreur E0 à l'écran. Les signaux acoustiques retentissent et l'appareil commute en mode veille après env. 1 minute. Si vous enlevez l'ustensile de cuisine de l'appareil si celui-ci est en service, les signaux acoustiques retentissent et le code d'erreur **E0** s'affiche à l'écran. L'appareil arrête le chauffage et commute en mode veille après env. 1 minute. Lors du changement d'ustensiles sur la surface du verre, vous devez appuyer de nouveau sur le bouton MARCHE/ARRÊT pour redémarrer le chauffage.

L'affichage du code d'erreur **E1** indique une surchauffe du capteur de température. Cela peut arriver si la température de la plaque est trop haute. L'unité arrête le chauffage. Le code **E1** disparaît et la plaque recommence à fonctionner automatiquement dès que l'appareil refroidit. Si le capteur tombe en panne, le code **E1** s'affiche immédiatement et l'appareil s'éteint immédiatement.

Si l'unité affiche le code d'erreur **E2** : une surchauffe causée par un ustensile trop chaud. Une protection par évaporation est activée. Dans ce cas, débranchez l'appareil du secteur et laissez-le refroidir complètement. Si le code **E2** s'affiche, toute la plaque de cuisson à induction, y compris l'ajustage de la commande de température, sera bloquée complètement. Après 20 minutes, le signal **E2** s'éteint et la plaque de cuisson à induction rentre automatiquement en mode veille.

Si l'unité affiche le code d'erreur **E3** : la protection automatique contre la surtension est activée. Cela peut arriver s'il y a fluctuation de la tension (par ex. lors des foudres pendant un orage). Dès que le courant redevient normal, le code **E3** retourne à sa fonction normale.

Dans le cas des codes d'erreur E1-3, débranchez l'appareil du secteur pour des raisons de sécurité et laissez-le refroidir.

Attention : Après l'utilisation et l'achèvement du processus de cuisson ou de chauffage, ÉTEIGNEZ toujours l'appareil et débranchez-le du secteur.

Ustensiles de cuisine appropriés et non appropriés

• Poêles utilisables

La plupart des ustensiles de cuisine induction : poêles avec fond plat en acier ou en fonte, en fer émaillé, en inox/marmites avec un fond de diamètre de 12 à 26 cm.

Marmites en fer émaillé, marmites casseroles, marmites profondes, marmites en fer, plaques en fer.

• Poêles inutilisables

Verre résistant à la chaleur, récipients en céramique, poêles/marmites en cuivre ou en aluminium. Poêles/marmites avec fond rond ou avec un fond dont le diamètre est inférieur à 12 cm.

Marmites en aluminium ou en cuivre avec fond rond ou avec un fond dont le diamètre est inférieur à 12 cm, casseroles et marmites en céramique, marmites en verre résistant à la chaleur.



Nettoyage, entretien et stockage

Avertissement : Risque de brûlures et de blessure par le courant électrique ! Après l'utilisation ou avant le nettoyage, éteignez toujours l'appareil et débranchez-le du secteur. Avant le nettoyage et le stockage, laissez l'appareil refroidir. N'immergez jamais l'appareil dans l'eau ni ne le nettoyez à l'eau courante.

- N'essayez les plaques et les surfaces en inox qu'avec un chiffon humide.
- Après chaque utilisation, enlevez les restes d'aliments et nettoyez l'appareil.
- Essuyez la plaque en verre et les surfaces en plastique avec un chiffon un peu humide.
- Assurez-vous qu'aucune eau n'a pénétré dans l'appareil.
- N'immergez pas le câble d'alimentation ou l'appareil dans l'eau ou un autre liquide afin de prévenir tout risque de blessure par le courant électrique. Ne placez pas cet appareil et son câble d'alimentation dans le lave-vaisselle.
- Afin d'éviter l'endommagement, n'utilisez pas de détergents abrasifs, d'éponges avec une surface rugueuse ou d'objets tranchants (éponges métalliques). Lors de l'utilisation des objets métalliques, faites attention à ne pas endommager la surface sensible. Manipulez l'appareil avec précaution et sans utilisation de la force.
- Utilisez les produits nettoyants spécifiques pour les plaques à induction pour prolonger leur durée de vie.
- Lors du nettoyage, n'utilisez aucuns détachants à base de benzine afin de ne pas endommager les composants en plastique.
- Ne manipulez pas les acides ou les substances alcalines inflammables à proximité de l'appareil. Cela pourrait réduire la durée de vie de l'appareil et provoquer la combustion explosive.
- Assurez-vous que le fond de l'ustensile de cuisine n'égratigne pas le verre.



INSTRUCTIE VOOR INSTALLATIE EN GEBRUIK

Belangrijke veiligheidsmaatregelen

Om de beschadiging of het risico van onjuist gebruik te vermijden, moet deze handleiding gelezen en zorgvuldig nageleefd worden. Bewaar de gebruiksaanwijzing samen met de garantiekaart en het ontvangstbewijs voor toekomstig gebruik. Als u het apparaat overdraagt aan een derde dient u deze gebruiksaanwijzing ook mee te geven.

Beoogd gebruiksdoel: dit apparaat is geschikt voor het koken en bakken voor huishoudelijk of commercieel gebruik. Het apparaat is niet geschikt voor buitengebruik.

De veiligheidsmaatregelen moeten zorgvuldig nageleefd worden en het apparaat moet gebruikt worden zoals beschreven in de gebruiksaanwijzing. De fabrikant is niet aansprakelijk voor enige schade of ongeval die zijn veroorzaakt door het niet in acht nemen van deze gebruiksaanwijzing.

- Het oppervlak van de kookplaat bestaat uit temperatuurbestendig glas. Gebruik het apparaat niet, wanneer het glazen oppervlak beschadigd is, ook als het maar om een heel klein scheurtje gaat. Trek in dat geval onmiddellijk de stekker van de voedingskabel uit het stopcontact.
 - Sluit uw apparaat aan op een geaard stopcontact met de juiste netspanning (220-240 V - 50/60 Hz).
 - Sluit geen andere elektrische apparaten aan op hetzelfde stopcontact en gebruik ook geen meervoudige contactdozen.
 - Zorg ervoor dat de hoofdvoeding voldoende stroom levert voor het starten van dit apparaat. Om deze te verifiëren - zie typeplaatje van het apparaat.
 - Leid de voedingskabel zo dat niemand erover kan struikelen of eraan kan trekken. Let er op dat de kabel nooit in contact komt met scherpe randen of hete voorwerpen.
 - U kunt voor extra bescherming zorgen door een stroomonderbreker (IF=30 mA) in uw huisinstallatie te installeren. Raadpleeg een gekwalificeerde electricien.
 - **Voorzichtig!** Een elektrisch apparaat is geen speelgoed! Laat het apparaat nooit in werking zonder toezicht. Dit apparaat is niet bestemd voor gebruik door personen (inclusief kinderen) met fysieke, sensorische of verstandelijke beperkingen, of gebrek aan ervaring en kennis, tenzij ze onder toezicht staan of instructies hebben gekregen over het veilig gebruik van het apparaat door een persoon die verantwoordelijk is voor hun veiligheid. De kinderen moeten onder toezicht staan om te voorkomen dat zij met het apparaat spelen.
 - Leg uw kinderen alle risico's uit die kunnen worden veroorzaakt door elektrische schokken - Gevaar voor warme of hete stoom
 - Gevaar voor scherpe randen
 - Gevaar voor letsels veroorzaakt door elektrische schok
 - Bewaar dit apparaat altijd buiten het bereik van kinderen of personen die niet goed met elektrische apparaten kunnen omgaan. Bij het aansluiten van het apparaat moet de kabel buiten het bereik van kinderen gehouden worden om eventuele risico's te voorkomen.
 - Verpakkingsonderdelen (plastic zakken, karton, piepschuim enz.) buiten het bereik van kinderen houden - verstikkingsgevaar!
 - **Voorzichtig!** Risico van een elektrische schok! Het is niet toegestaan de kabel, de stekker of het apparaat in water of een andere vloeistof onder te dompelen, om elektrische schokken te vermijden.
 - plaats het apparaat nooit op een natte ondergrond
 - laat de kabel nooit in water of andere vloeistoffen of boven de gootsteen hangen om elektrische schokken of kortsluiting te vermijden
 - gebruikt het apparaat niet als u op een natte vloer staat of als uw handen of het apparaat nat zijn
 - giet of druppel geen vloeistoffen in de motor of kabel. Als er vloeistof op de motor wordt gemorst, SCHAKEL het apparaat onmiddellijk UIT, koppel het los en laat de motor grondig opdrogen,
 - was het apparaat en de voedingskabel nooit in een vaatwasser
- 13**
- **Voorzichtig!** Gevaar voor brandwonden en brand! Raak nooit hete oppervlakken aan met uw handen of andere lichaamsdelen. Plaats behalve vaatwerk nooit andere voorwerpen op het apparaat als het aangesloten is op het stroomnet. Plaats geen lege pannen of ander leeg vaatwerk op het apparaat terwijl het in werking is.

- Wees voorzichtig bij het gebruik van elektrische kookapparaten (bijv. kookplaten, hete pannen of heet vet), aangezien hoge temperaturen kunnen worden bereikt die ernstig letsel kunnen veroorzaken. Gebruik indien nodig handvatten of een doek om de pot vast te pakken.
- Informeer hierover ook andere mensen die dit apparaat gebruiken.
- Gebruik dit artikel alleen voor hittebestendige oppervlakken, zoals steen of keramiek, en plaats dit apparaat nooit in de buurt of op hete oppervlakken of in de buurt van andere krachtige verwarmingstoestellen.
- Plaats dit apparaat niet direct naast een muur of onder een hangkast om thermische overbelasting te voorkomen. Zorg voor voldoende veilige afstanden tot voorwerpen die gemakkelijk kunnen smelten of ontbranden.
- Bewaar geen voorwerpen in de buurt van het apparaat die gemakkelijk kunnen smelten of ontbranden.
- Blokkeer de luchttoevoer en ventilatie van het apparaat niet.
- Plaats of gebruik dit apparaat nooit op tapijten of stoffen of andere gemakkelijk ontvlambare voorwerpen.
- Plaats geen weefsels of doeken of andere gemakkelijk ontvlambare voorwerpen onder of op het apparaat, om het risico op brand of elektrische schokken te vermijden. Bewaar nooit brandbare producten in de buurt van het apparaat, aangezien deze kunnen ontbranden.
- Plaats geen lege potten, pannen of metalen voorwerpen op het apparaat terwijl het in werking is. Het vaatwerk nooit oververhitten.
- Trek nooit aan de kabel om het apparaat te verplaatsen. Verplaats het apparaat nooit terwijl het in werking is of met warme pannen erop. Risico voor brandwonden!
- Probeer in geval van brand de vlammen nooit met water te blussen, maar gebruik een vochtige doek.
- Als het apparaat foutcode EO weergeeft: er staat geen kookgerei op de kookplaat of het kookgerei is niet geschikt voor gebruik op deze kookplaat; na weergave van EO wordt het apparaat automatisch uitgeschakeld
- Als het apparaat foutcode E1 weergeeft: de temperatuursensor is oververhit. Deze situatie kan voorkomen als de temperatuur van de kookplaat te hoog is. Het apparaat stopt met verwarmen. E1 verdwijnt en de kookplaat hervat automatisch de werking, zodra het apparaat afgekoeld is.
- Ook als de sensor een storing heeft, verschijnt er onmiddellijk V1 en zal het apparaat onmiddellijk uitschakelen.
- Als de eenheid foutcode E2 weergeeft: oververhitting door te heet vaatwerk. De verdampingsbescherming is geactiveerd. Koppel in dit geval het apparaat los en laat het volledig afkoelen.
- E2 wordt weergegeven, de volledige inductiekookplaat, inclusief de temperatuurregeling instellingen, wordt volledig geblokkeerd. Na 20 minuten wordt het signaal E2 uitgeschakeld en de inductiekookplaat keert automatisch terug naar de ruststand.
- Als het apparaat foutcode E3 weergeeft: automatische spanningsbeveiliging is geactiveerd. Dit kan gebeuren als er spanningschommelingen optreden (bijv. bij bliksem tijdens onweer). Zodra de stroom weer normaal is, keert E3 terug naar de normale werking.
- Plaats geen ferromagnetische voorwerpen in de buurt van het apparaat (bijv. TV, radio, creditcards, cassettes enz.). Plaats geen leeg vaatwerk op het glazen oppervlak. Zodra de stroom weer normaal is, keert E3 terug naar de normale werking.
- Gebruik het apparaat niet als het op enigerlei wijze beschadigd is of niet correct werkt.
- Om alle risico's te vermijden gebruik het apparaat niet als het apparaat of een onderdeel ervan beschadigd is. Het apparaat is beschadigd als het scheuren vertoont, overmatig gebarsten is of gerafelde onderdelen, vervormingen of lekken heeft.
- Stop in dat geval onmiddellijk met het gebruik van het apparaat en retourneer het volledige apparaat (inclusief onderdelen en accessoires) aan OW. Haberovo servisní středisko (OW. Habera's servicecentrum) voor inspecties en reparaties.
- Laat het apparaat na elk gebruik voldoende afkoelen en maak het schoon met een licht vochtige doek om beschadiging van het oppervlak te voorkomen. Hanteer het apparaat altijd voorzichtig. Gebruik geen schurende reinigingsmiddelen of schuursponsjes om schade te voorkomen.
- Gebruik geen scherpe of harde voorwerpen om dit apparaat schoon te maken. Laat geen voedselresten opdrogen op het oppervlak van het apparaat.
- Zorg ervoor dat u het apparaat altijd op een droge, schone plaats opslaat, beschermd tegen vorst, overmatige belasting (mechanische of elektrische stroom, hitte, vochtigheid) en buiten het bereik van kinderen.

- Het gebruik van accessoires en reserveonderdelen die niet door de fabrikant zijn aanbevolen, kan tot beschadiging van het apparaat of verwonding van personen leiden.
 - **Koppel het apparaat altijd los:**
 - na elk gebruik
 - als u het apparaat niet gebruikt, voordat u accessoires vervangt of het apparaat wilt schoonmaken.
 - Trek bij het loskoppelen van het apparaat nooit aan de kabel, maar pak het direct aan de behuizing vast en trek de stekker uit het stopcontact.
 - Controleer af en toe de voedingskabel op beschadiging. Gebruik het apparaat nooit als de kabel of het apparaat zelf tekenen van schade vertoont, dit kan gevaarlijk zijn.
 - **Gebruik het apparaat niet als:**
 - de voedingskabel beschadigd is
 - het apparaat is gevallen en zichtbare schade of defecten vertoont
In dat geval moet het apparaat worden opgestuurd voor service om risico's te voorkomen.
 - Als de voedingskabel beschadigd is, moet deze vervangen worden door de fabrikant of zijn serviceagent of door een vergelijkbaar gekwalificeerd persoon (*) om risico's te vermijden. Alle reparaties moeten worden uitgevoerd door een bevoegde gekwalificeerde elektricien (*). Probeer nooit zelf het apparaat te openen of te repareren, aangezien er gevaar voor elektrische schokken bestaat.
- (*) Bevoegde gekwalificeerde elektricien: persoon van de dienst naverkoop van de fabrikant of de importeur, of elke persoon die gekwalificeerd, erkend of bevoegd is om dit type reparatie uit te voeren om elk gevaar te vermijden. U moet het apparaat in ieder geval terugbrengen naar deze elektricien.

Omvang van de levering

- Commerciële inductiekookplaat
- Gebruikshandleiding

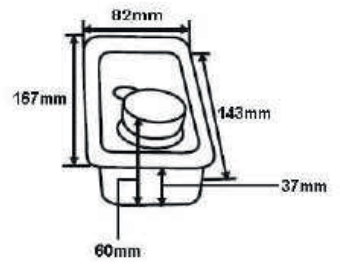
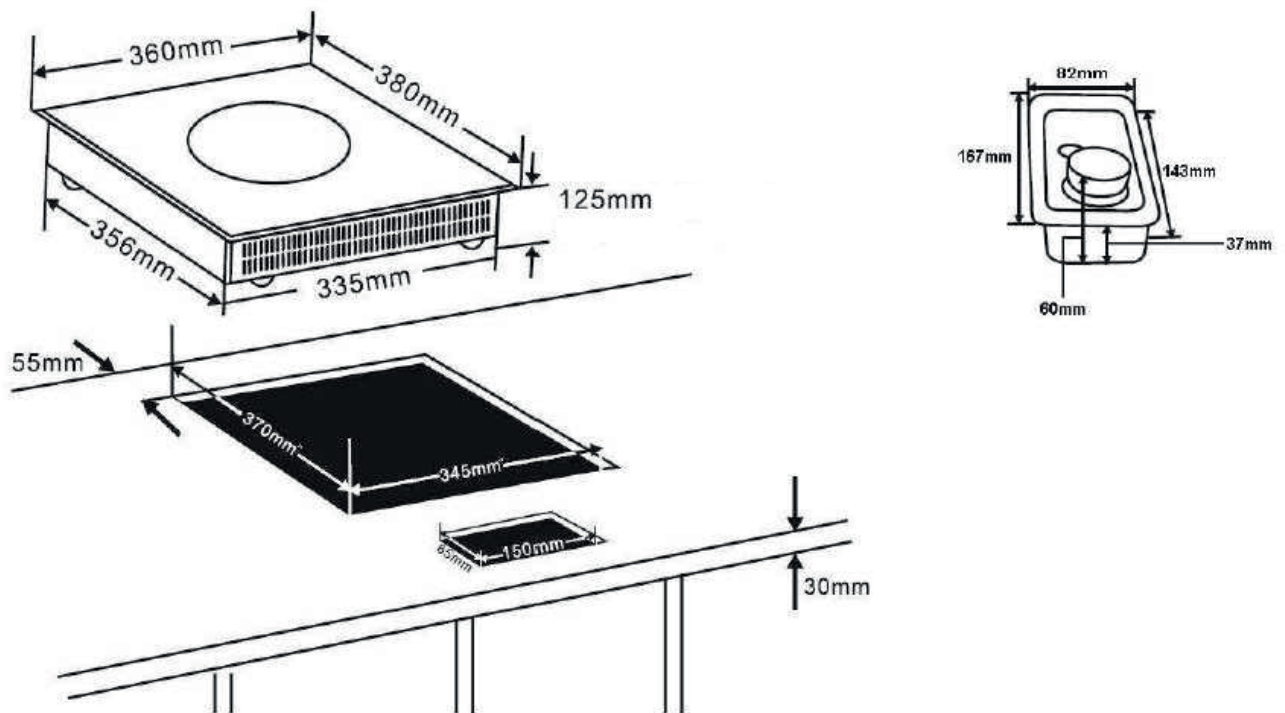
Vóór het gebruik

- Verwijder alle verpakkingsonderdelen en verzeker u ervan dat het apparaat in perfecte staat is.
- Reinig voor het eerste gebruik het oppervlak van het apparaat met een licht vochtige doek en laat het opdrogen (zie "REINIGINGSINSTRUCTIES").

Inbouwinstallatie

Voordat u de inductiekookplaat in het werkblad installeert.

- Zorg ervoor dat het oppervlak van de inductiekookplaat volledig schoon is.
- Zorg ervoor dat het frame van de inductiekookplaat vlak is
 - Zorg ervoor dat het kastoppervlak volledig vlak is.
- Het belangrijkste is: Zorg ervoor dat de afmetingen en de afstand van de inductiekookplaat, die in de kast is ingebouwd, absoluut juist zijn (Zie "Inbouwschema" hieronder).



Werking

Voorzichtig! Risico voor brandwonden! Het oppervlak van de kookplaat is heet tijdens gebruik! Raak het hete oppervlak van de kookplaat, hete potten of andere hete delen niet aan.

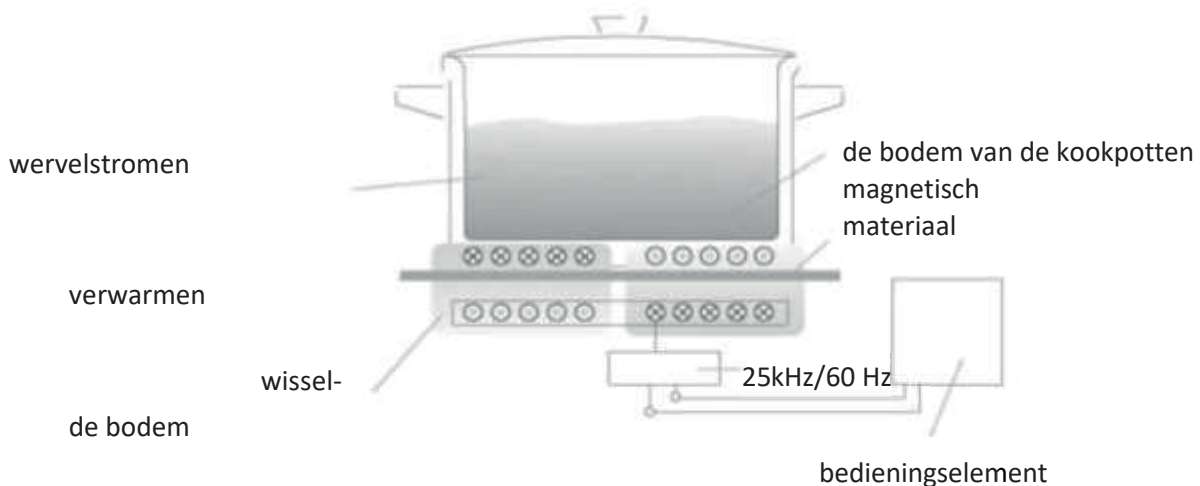
Voorzichtig! Brandgevaar 1. Zorg altijd voor voldoende afstand tot muren, meubels, gordijnen of handdoeken. Het apparaat mag niet naast licht ontvlambare voorwerpen geplaatst worden. Zorg ervoor dat de kabel niet in contact komt met hete delen van het apparaat, zoals de verwarmingsplaat.

Als het apparaat in gebruik is, zorg ervoor dat het nooit in contact komt met ontbrandbare materialen, zoals gordijnen, canvas, papier enz., anders kan er brand ontstaan. Verplaats het apparaat nooit als het heet is. Voordat u het apparaat schoonmaakt en opbergt, laat het voldoende afkoelen. Gebruik of plaats het apparaat nooit in de buurt van kookplaten of hete ovens.

Werkingsmodi en voordelen van de inductiekookplaat

Inductiekookplaat

functie



van de kookpot

elektromagnetisch veld

- De kookpotten moeten uit ferromagnetisch materiaal zijn. Zet altijd de ferromagnetische kookpotten midden op het kookveld voordat u het apparaat inschakelt.

Speciale opmerkingen voor uw veiligheid:

- Mensen met een pacemaker lopen volgens de kennis van de huidige normen geen risico. In geval van misbruik of een ongunstige situatie kunnen wij niet de overige risico's uitsluiten. Voor de personen met een pacemaker raden wij aan om een arts te raadplegen alvorens de inductiekookplaat te gebruiken. Personen met een pacemaker dienen een minimumafstand van 60 cm van het apparaat aan te houden wanneer het in gebruik is.
- Om risico's te vermijden, plaats geen heel grote voorwerpen uit ferromagnetische materialen (bijv. pannen, koekenpannen) op de kookzone van het glasveld. Plaats geen andere voorwerpen uit ferromagnetische materialen (d.w.z. creditcards, tv's, radio's, cassettes), met uitzondering van kookpotten, in de buurt of op het glazen oppervlak van de inductiekookplaat wanneer het apparaat in werking is.
- Plaats het apparaat op een stabiel, vlak en droog oppervlak dat groot genoeg is, zodat het apparaat probleemloos kan werken en om het risico van vallen uit te sluiten. Plaats het apparaat niet op brandbare oppervlakken (tafelkleed,...). Plaats het apparaat niet in de buurt of op een heet oppervlak of op een ander krachtig verwarmingsapparaat (bijv. fornuis, open vuur, verwarmers...).
- Gebruik alleen pannen en ander kookgerei die geschikt en bedoeld zijn om te worden gebruikt met een inductiekookplaat en die een juiste diameter van tenminste 20 tot 26 cm hebben. Dit zorgt voor het beste resultaat.
- Het is niet aangeraden om metalen keukengerei (bijv. messen, potten of pannendeckels enz.) op de kookplaat te leggen wanneer het apparaat ingeschakeld is; zij kunnen snel heet worden.
- Steek geen voorwerpen (bijv. draden of gereedschap) in de ventilatieopeningen.
- **Voorzichtig!** Er bestaat gevaar voor elektrische schokken.
- Raak het hete oppervlak van het glasveld niet aan. Merk op, a.u.b.: zelfs als de inductiekookplaat zichzelf tijdens het koken niet opwarmt, wordt deze tijdens het koken echter warm door verwarmde potten!

Systeem van inductiekoken

Door elektromagnetisme vormen de inductiekookplaat en de erop geplaatste pannen één geheel.

De ontstane energie wordt omgezet in warmte rechtstreeks in de panbodem.

Dit voorkomt warmteverlies veroorzaakt door constante verwarming en permanent warmtebehoud bij standaard kookplaten. De inductiekookplaten hoeven niet voorverwarmd te worden. Als zij zijn aangesloten, staan ze altijd in "Stand-bymodus", zonder enig stroomverbruik.

Technische werkmodus

De koperen inductiespoel onder de glasplaat genereert een elektromagnetisch wisselveld.

De wervelstromen genereren magnetisch veld dat de bodem van de pan rechtstreeks verwarmt. Deze wervelstromen veranderen onmiddellijk in warmte. De glasplaat blijft koud. Maar de hete bodem van de kookpan geeft zijn warmte af aan de glasplaat waardoor deze warm wordt. Dit bespaart de tijd en energie omdat, in vergelijking met gewone kookplaten, worden de kookpannen verwarmd, en niet het verwarmingselement en de glasplaat zelf. Het thermisch vermogen past zich onmiddellijk aan de gewijzigde instellingen aan en kan in kleine stapjes geregeld worden. De inductiekookplaat reageert op instellingwijzigingen op dezelfde manier als een gasfornuis. De energie bereikt onmiddellijk de kookpan zonder eerst de andere elementen te moeten verwarmen.

Inductietechnologie combineert een snelle reactie met het basisvoordeel in de vorm van een zeer nauwkeurig warmtegebruik

Inductiegeschikt kookgerei

Het belangrijkste is dat het warmtegeleidingsvermogen van de kookpannen buitengewoon goed is om een constante warmteverdeling te garanderen. De bodem van de kookpan die gebruikt wordt met de inductieplaat, moet uit magnetische (ferromagnetische) materialen bestaan. De volgende kookpannen worden aanbevolen: geëmailleerde pannen van magnetisch staal, bakblikken van gietijzer of speciaal roestvrij staal, kookpannen met een bodem van speciaal "sandwich" staal. Geschikte kookpannen worden verkocht in gespecialiseerde winkels. Alle kookpannen met een symbool van een spiraal op de bodem zijn geschikt.

Tip: Voer een magneetttest uit op de kookpan die u wilt gebruiken om te zien of deze geschikt is voor inductiekoken. Opmerking: Gebruik geen kookgerei uit glas, keramiek of aluminium. Dit type kookgerei is niet geschikt voor de inductiekookplaat.

Voordelen van de inductiekookplaat

- Energieoverdracht alleen als de kookpannen geplaatst worden op de kookplaat = maximale energiebesparing (tot ca. 50 %)
- De warmte wordt gegenereerd op de bodem van de kookpan en direct naar het voedsel geleid. Het actuele vermogen wordt direct in het kookgerei opgenomen. Dit garandeert een extreem hoge kooksnelheid.
- Hoge efficiëntie tijdens het voorkoken en minimaal energieverbruik tijdens het koken - dit alles verlaagt het totale energieverbruik tot 30 %.
- De nauwkeurige bediening garandeert een snel en sterk gericht thermisch vermogen.
- In principe blijft het kookvlak koud, deze wordt alleen opgewarmd door de omleiding van de warmte van de hete kookpannen.
- Omdat de inductiekookplaat alleen wordt verwarmd door de verwarmde kookpannen, wordt het risico dat voedselresten inbranden of overbakken worden gereduceerd. De inductiekookplaat blijft niet zo lang heet als de standaard kookplaten (gemakkelijk schoonmaken).
- Als de kookpan verwijderd wordt, schakelt het apparaat automatisch terug naar de stand-bymodus.
- Het apparaat herkent of er geschikte kookpannen op de kookplaat geplaatst zijn. Indien niet, dan wordt er geen energie overgedragen.
- Als u op de inductiekookplaat lege kookpannen plaatst, schakelt de temperatuursensor de verwarmingsfunctie uit in geval van oververhitting.

Bediening van het apparaat

Voorzichtig! Laat het apparaat nooit in werking zonder toezicht!

Volg de onderstaande volgorde bij het instellen van het apparaat. U kunt de temperatuur (C° graden) instellen met de aanraaktoets van de sensor, en ook de kooktijd (in minuten) met behulp van de "+ of -"-toets.

Dit apparaat heeft 1 inductiekookplaat.

Vermogensniveaus: 1 / 2 / 3 / 4 / 5 / 6 / 7 / 8 / 9 / 10

Temperatuurniveaus: 60 / 80 / 100 / 120 / 140 / 160 / 180 / 200 / 240 °C

Tip: Bij het inschakelen van het apparaat is het begintemperatuurniveau 180.

Voordat u het apparaat aansluit, plaats altijd de geschikte kookpannen gevuld met voedsel op het middengedeelte van de inductiekookplaat. Anders wordt de foutfunctie weergegeven (zie hoofdstuk "Veiligheidsfunctie").

- Steek de stekker in een geschikt stopcontact, er klinkt een lang geluidssignaal.
- Op het display wordt eerst **0000** weergegeven en het apparaat schakelt automatisch over naar de stand-bymodus.
- Druk nu op de **AAN-/UIT**-schakelaar om het apparaat in te schakelen. Er klinkt een kort geluidssignaal (elke keer dat u nogmaals op de toets drukt of op een nieuwe toets drukt, wordt een geluidssignaal gegeven). De ventilator binnenin begint te werken. Op het display verschijnt **180**. Dit is een automatische voorinstelling. Het apparaat staat nu in de temperatuurmodus. Selecteer met de sensortoets de hogere of lagere gewenste temperatuur (instelbare temperatuur 60 - 240 °C). U kunt de temperatuurmodus handmatig aanpassen door aan de draaiknoppen te draaien.
- Druk indien nodig op de “functie”-toets om de kooktijd te programmeren. De gewenste kooktijd wordt ingesteld door op de pijltjestoetsen te drukken. Deze tijd is instelbaar in een bereik van 0 - 180 minuten (in stappen van 5 minuten). Dit is een extra timer. Als u de timer niet hebt ingesteld, wordt deze ingesteld op de beginwaarde van 180 minuten en daarna wordt deze om veiligheidsredenen uitgeschakeld.
- Vergrendelsleutel, Druk gedurende 5 seconden op de “Slot”-toets. De inductiekookplaat schakelt over naar het vergrendelen van het bedieningspaneel, met uitzondering van de AAN-/UIT-toets. Met behulp van de “Slot”-toets wordt de inductiekookplaat ontgrendeld.

De kooktijd wordt op het display aangegeven door het aftellen van minuten. Als de kooktijd afgelopen is, wordt dit door enkele geluidssignalen aangegeven en wordt de eenheid automatisch uitgeschakeld. Schakel het apparaat altijd uit en trek de stekker uit het stopcontact nadat u klaar bent met koken of het handhaven van het temperatuurproces. Alle functies kunnen handmatig ingesteld worden door op de betreffende toetsen te drukken. Wij raden u aan de instructies vermeld in het hoofdstuk “Bediening van het apparaat” op te volgen. Gebruik het apparaat niet als het tekenen van beschadiging of storingen vertoont. Neem in dat geval contact op met de klantenservice (zie “Klachten”). Plaats geen lege kookpannen op het apparaat en laat de kookpannen niet te lang op het apparaat staan om te voorkomen dat de vloeistof volledig uitkookt. De oververhitting van de kookpannen activeert de droogkookbeveiliging.

Opmerking: Als de eenheid foutcode E2 weergeeft: oververhitting door te heet vaatwerk. Koppel in dit geval het apparaat los en laat het volledig afkoelen.

Veiligheidsfunctie

Als u de kookpannen niet plaatst terwijl het apparaat aangesloten is maar u op de AAN-/UIT-toets drukt, schakelt het apparaat om veiligheidsredenen niet over naar de verwarmingsfunctie. In dit geval worden op het display eerst 6 en daarna **EO**-fouten weergegeven. Er klinken meerdere geluidssignalen en de eenheid schakelt automatisch na een minuut over naar de stand-bymodus. Als u de kookpannen verwijderd terwijl het apparaat in werking is, klinken meerdere geluidssignalen en op het display worden **EO**-fouten weergegeven. Het apparaat stopt met verwarmen en schakelt na ca. 1 minuut over naar de stand-bymodus. Bij het wisselen van de kookpannen op het glazen oppervlak moet u op de Aan-/Uit-toets drukken om de kookfunctie opnieuw te starten.

Als de eenheid de **E1**-foutcode weergeeft, geeft dit aan dat de temperatuursensor oververhit is. Deze situatie kan voorkomen als de temperatuur van de kookplaat te hoog is. Het apparaat stopt met verwarmen. **E1** verdwijnt en de kookplaat hervat automatisch de werking zodra het apparaat afgekoeld is. Ook als de sensor een storing heeft, verschijnt onmiddellijk **E1** en het apparaat schakelt onmiddellijk uit.

Als de eenheid foutcode **E2** weergeeft: oververhitting door te heet vaatwerk. De verdampingsbescherming is geactiveerd. Koppel in dit geval het apparaat los en laat het volledig afkoelen. Als **E2** wordt weergegeven, wordt de gehele inductiekookplaat inclusief de temperatuurregeling instelling volledig geblokkeerd. Na 20 minuten wordt het signaal **E2** uitgeschakeld en de inductiekookplaat keert automatisch terug naar de ruststand.

Als het apparaat foutcode **E3** weergeeft: automatische spanningsbeveiliging is geactiveerd. Dit kan gebeuren als er spanningschommelingen optreden (bijv. bij bliksem tijdens onweer). Zodra de stroom weer normaal is, keert **E3** terug naar de normale werking.

In foutgevallen E1-3 koppel om veiligheidsredenen het apparaat los en laat het afkoelen.

Let op: SCHAKEL het apparaat UIT en koppel het los na elk gebruik en na het beëindigen van het koken of verwarmen.

Geschikte en ongeschikte kookpannen

• Geschikte kookpannen

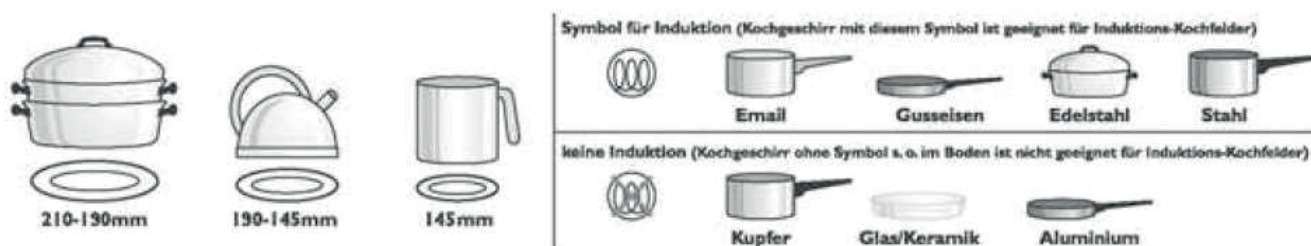
De meeste inductiegeschikte kookpannen, pannen met platte bodem van staal of gietijzeren, pannen gemaakt uit geëmailleerd ijzer, roestvrij staal, pannen/potten met een diameter van 12 tot 26 cm.

Geëmailleerde ijzeren potten, ijzeren of geëmailleerde potten van ijzer, gietijzeren pannen, ijzeren pannen, diepe pannen, ijzeren platen.

• Niet geschikte kookpannen

Hittebestendig glas, keramische potten, koperen en aluminium pannen/potten. De pannen/potten met een afgeronde bodem met een bodemdiameter van minder dan 12 cm.

Afgeronde potbodems, aluminium en koperen potten, bodems met een diameter van minder dan 12 cm, potten met standaards, keramische potten, hittebestendige glazen potten.



Reiniging, onderhoud en opslaan

Voorzichtig: Risico voor brandwonden en elektrische schokken! Schakel het apparaat altijd uit en haal de stekker uit het stopcontact na het gebruik of voordat u het schoonmaakt. Laat het apparaat afkoelen voordat u het schoonmaakt of opbergt. Dompel het apparaat nooit in water en maak het niet schoon onder stromend water.

- Veeg alleen de kookplaten en de oppervlakken uit roestvrij staal af met een vochtige doek.
- Maak het apparaat na elk gebruik schoon van voedselresten.
- Veeg de glazen plaat en kunststof oppervlakken af met een licht bevochtigde doek.
- Zorg ervoor dat er geen water binnendringt in het apparaat.
- Om het gevaar of risico van elektrische schokken te vermijden, mag u het apparaat of de voedingskabels nooit onderdompelen in water of een andere vloeistof. Plaats dit apparaat of de voedingskabel nooit in een vaatwasser!
- Om de beschadiging van het oppervlak van het apparaat te vermijden, gebruik nooit schurende reinigingsmiddelen, schoonmaakspunten of scherpe voorwerpen (bijv. metalen sponzen). Als u voor het reinigen een metalen voorwerp gebruikt, kan het gevoelige oppervlak gemakkelijk door krassen beschadigd worden. U moet altijd voorzichtig omgaan met het apparaat en geen kracht gebruiken.
- Gebruik extra reinigingsvloeistoffen die geschikt zijn voor inductiekookplaten om hun levensduur te verlengen.
- Gebruik geen benzineproducten om het apparaat schoon te maken omdat dit tot beschadiging van kunststof onderdelen en het bedieningspaneel kan leiden.

- Werk niet in de buurt van het apparaat met ontvlambare zuren of alkalische materialen of substanties, aangezien dit de levensduur van het apparaat kan verkorten en een explosieve brand kan veroorzaken wanneer het apparaat wordt ingeschakeld.
- Zorg ervoor dat de bodem van de kookpan niet over het glazen oppervlak krast.
- Als u het apparaat niet gebruikt, bewaar het op een droge plaats. Het apparaat moet worden opgeborgen op een plaats die niet toegankelijk is voor kinderen.

Technische gegevens

220 - 240 V ~ 50/60 Hz; 3500 W; IP 23

Het apparaat is getest volgens de CE /ROHS-voorschriften.

Verwijdering

Opmerking op vlak van milieubescherming. Als u zich in de toekomst van dit product moet ontdoen, neem a.u.b. in acht dat afgedankte elektrische producten niet bij uw ander huishoudelijk afval mogen worden gegooid.

Het symbool (gekruiste afvalbak - te zien aan de rechterkant) op de productverpakking geeft dit aan. Overhandig dit product a.u.b. voor recyclage aan een erkend afvalinzamelingpunt. Neem contact op met uw lokale overheid of de verkoper voor recyclagemethoden. (Richtlijn betreffende afgedankte elektrische en elektronische apparatuur)





NÁVOD K OBSLUZE A INSTALACI

Specifikace

Model	RIB 3535 ET/N
Výkon	3500 W
Napětí	220-240 V ~ 50/60 Hz
Teplotní rozmezí	60° C - 240° C
Časovač	0 - 180 minut

Důležitá ochranná opatření

Aby se zabránilo poškození nebo nebezpečí nesprávného použití, měl by být tento návod přečten a pečlivě dodržován. Uložte návod společně se záruční kartou a příjemkou pro další použití. Pokud předáte spotřebič jiným osobám, předejte jim také tento návod.

Zamýšlené použití: tento spotřebič je vhodný pro vaření a smažení pro domácí nebo komerční využití. Spotřebič není vhodný pro použití ve venkovním prostředí.

Ochranná opatření musí být pečlivě dodržována a spotřebič musí být používán tak, jak je uvedeno v návodu. Za případné škody a nehody způsobené nedodržáním tohoto návodu, výrobce nenesе žádnou odpovědnost.

- Povrch varné desky je vyroben z teplotně osvědčeného skla. Pokud je skleněný povrch poškozený, i když je to jen velmi malá trhlinka, nesmí být spotřebič nadále již používán. V takovém případě okamžitě vytáhněte zástrčku napájecího kabelu ze spotřebiče.
- Připojte váš spotřebič k uzemněné síťové zásuvce s příslušným síťovým napětím (220-240V - 50/60 Hz).
- Nepřipojujte jiné elektrické spotřebiče do stejné zásuvky, a ani nepoužívejte vícenásobné zásuvky.
- Ujistěte se, že hlavní napájecí instalace poskytuje dostatek energie pro spuštění tohoto spotřebiče. Viz typový štítek spotřebiče pro ověření.
- Vedte napájecí kabel takovým způsobem, aby za něj nikdo nemohl zakopnout, nebo za něj tahat. Dbejte na to, aby kabel nikdy nepřišel do kontaktu s ostrými hranami předmětů a horkými předměty.
- Dodatečnou ochranu můžete získat tím, že do vaší domácí instalace namontujete ochranný jistič (IF=30 mA). Prosím konzultujte s kvalifikovaným elektrikářem.
- **Upozornění!** Elektrický spotřebič není hračkou! Nikdy nenechávejte spotřebič bez dozoru, když je v provozu. Tento spotřebič není určen pro používání osobami (včetně dětí) se sníženými fyzickými, smyslovými nebo duševními schopnostmi, nebo s nedostatkem zkušeností a znalostí, pokud nejsou pod dohledem nebo instruovány o použití tohoto spotřebiče osobou zodpovědnou za jejich bezpečnost. Děti by měly být pod dozorem, aby se zajistilo, že si nebudou se spotřebičem hrát.
- Vysvětlete svým dětem všechna rizika, která mohou být způsobena úrazem elektrickým proudem
 - Nebezpečí teplé nebo horké páry
 - Nebezpečí ostrých hran
 - Nebezpečí způsobená úrazem elektrickým proudem
- Udržujte tento spotřebič vždy mimo dosah dětí nebo osob, které nemohou správně zacházet s elektrickými spotřebiči. Při připojení spotřebiče by neměl být kabel v dosahu dětí, aby se zabránilo případným nebezpečím.
- Nenechávejte součásti obalu (plastové sáčky, karton, polystyren, atd.) v dosahu dětí - nebezpečí udušení!
- **Upozornění!** Nebezpečí úrazu elektrickým proudem! Neponořujte kabel, zástrčku nebo spotřebič do vody nebo jiné kapaliny, aby se předešlo riziku úrazu elektrickým proudem.
 - nikdy nepokládejte spotřebič na mokrou zem
 - aby se zabránilo úrazu elektrickým proudem nebo zkratu, nikdy nenechávejte kabel viset ve vodě, nebo v jiných kapalinách, nebo nad umyvadlem
 - nepoužívejte spotřebič, když stojíte na mokré zemi, nebo pokud jsou vaše ruce nebo spotřebič mokré
 - nelijte ani nekapejte žádné kapaliny do motoru nebo kabelu. Když se tekutiny rozlijí po motoru, okamžitě spotřebič VYPNĚTE, odpojte a ponechte motor důkladně oschnout,
 - nikdy nemyjte spotřebič a napájecí kabel v myčce nádobí

- **Upozornění!** Nebezpečí popálení a požáru! Nikdy se nedotýkejte horkých ploch rukama nebo jinými částmi těla. Kromě nádobí nikdy nepokládejte žádné jiné předměty na spotřebič, když je připojen k napájecímu zdroji. Nepokládejte prázdné hrnce nebo jiné prázdné nádoby na spotřebič, když je v provozu.
- Při provozu elektrických topných spotřebičů (např. varné desky, horké pánve nebo horký tuk), prosím, buďte opatrní, neboť je dosahováno vysokých teplot, které mohou způsobit vážná zranění. Prosím, použijte úchyty nebo hadřík na úchyty hrnce, pokud je to nutné.
- O tomto informujte i ostatní osoby, používající tento spotřebič.
- Tuto položku používejte pouze pro tepelně odolné povrchy, jako je kámen nebo keramika, a neumísťujte tento spotřebič do blízkosti nebo na horké plochy nebo poblíž jiných výkonných topných zařízení.
- Aby se zabránilo tepelnému přetížení, neumísťujte tento spotřebič přímo vedle stěny nebo pod nástěnnou skříň. Ujistěte se, že jsou zde dostatečné bezpečné vzdálenosti od položek, které se mohou snadno roztavit nebo vznítit.
- Neskladujte v blízkosti spotřebiče žádné předměty, které se mohou snadno roztavit nebo vznítit.
- Neblokujte přívod vzduchu a větrání spotřebiče.
- Nikdy nepokládejte ani nepoužívejte tento spotřebič umístěný na kobercích nebo látkách, nebo jiných předmětech, které jsou snadno hořlavé.
- Nepokládejte jakékoli druhy tkáně nebo hadříků nebo jiné předměty, které jsou snadno hořlavé, pod nebo na spotřebič, aby se zabránilo riziku požáru nebo úrazu elektrickým proudem. Nikdy neskladujte hořlavé výrobky v blízkosti spotřebiče, mohly by se vznítit.
- Nepokládejte žádné prázdné nádoby, hrnce nebo kovové předměty na spotřebič, když je v provozu. Nikdy nepřehřívejte nádoby.
- Nikdy netahejte za kabel z důvodu přemístění spotřebiče. Nikdy nepřemísťujte spotřebič, když je v provozu, nebo je na něm horké nádobí. Nebezpečí popálení!
- V případě vzniku plamenů se je nikdy nesnažte uhasit vodou, ale použijte vlhký hadr.
- Jestliže jednotka zobrazí chybový kód EO: není žádné varné nádobí na varné desce, nebo varné nádobí není vhodné pro použití na tomto vařiči; po zobrazení EO dojde k automatickému vypnutí
- Jestliže jednotka zobrazí chybový kód E1: snímač teploty je přehřát. Toto může nastat, když je teplota desky příliš vysoká. Jednotka zastaví ohřívání. E1 zmizí a deska bude znovu fungovat automaticky, jakmile spotřebič vychladne.
- Také, když má snímač poruchu, okamžitě se objeví V1 a spotřebič se okamžitě vypne.
- Jestliže jednotka zobrazí chybový kód E2: došlo k přehřátí příliš horkým nádobím. Aktivuje se ochrana odpařováním. V tomto případě odpojte spotřebič a ponechte jej zcela vychladnout.
- Zobrazí se E2, celý indukční vařič včetně nastavení ovládání teploty bude zcela zablokovaný. Po 20 minutách se vypne signál E2 a indukční vařič přejde automaticky zpět do režimu klidového stavu.
- Jestliže jednotka zobrazí chybový kód E3: je aktivována automatická napěťová ochrana. To se může stát, pokud dochází ke kolísání napětí (např. při blescích během bouřky). Jakmile je proud zase normální, E3 se vrátí k normální funkci.
- Nepokládejte žádné ferro-magnetické předměty do blízkosti spotřebiče (to je TV, rádio, kreditní karty, kazety, apod.). Nepokládejte prázdné nádoby na skleněné oblasti. Jakmile je proud zase normální, E3 se vrátí k normální funkci.
- Neprovozujte spotřebič, pokud je jakkoli poškozen, nebo nepracuje správně.
- Nepoužívejte jej, když je spotřebič, nebo jakákoli jeho část je poškozená, aby se zabránilo všem rizikům. Spotřebič je poškozený, když jsou na něm jakékoli praskliny, je nadměrně popraskaný, nebo má roztřepené části, deformace nebo netěsnosti.
- V tomto případě okamžitě přestaňte spotřebič používat a vraťte celý spotřebič (včetně dílů a příslušenství) na OW. Haberovo servisní středisko pro kontroly a opravy
- Po každém použití nechte spotřebič dostatečně vychladnout a vyčistěte jej s mírně vlhkým hadříkem, aby se zabránilo poškození povrchu. Vždy zacházejte se spotřebičem opatrně. Nepoužívejte žádné abrazivní čisticí prostředky nebo čisticí polštářky, aby se zabránilo poškození.
- Nepoužívejte žádné ostré nebo tvrdé předměty při čištění tohoto spotřebiče. Nenechávejte žádné zbytky jídla zaschnout na povrchu spotřebiče.

- Ujistěte se, že ukládáte spotřebič na suché, čisté místo, chráněné před mrazem, nadměrným namáháním (mechanickým nebo elektrickým proudem, teplem, vlhkostí), a mimo dosah dětí.
- Použití příslušenství a náhradních dílů, které nejsou doporučeny výrobcem, může způsobit poškození spotřebiče nebo zranění osob.
- **Vždy odpojte spotřebič:**
 - po každém použití
 - když spotřebič nepoužíváte, před výměnou příslušenství nebo čištěním spotřebiče.
- Při odpojování spotřebiče nikdy netahejte za jeho kabel, ale vezměte jej přímo za jeho kryt a vytáhněte zástrčku.
- Občas zkontrolujte napájecí kabel na poškození. Spotřebič nikdy nepoužívejte, když kabel nebo vlastní spotřebič vykazují jakékoli známky poškození, což by mohlo být nebezpečné.
- **Neprovozujte spotřebič, když:**
 - je poškozen napájecí kabel
 - spotřebič upadl a vykazuje viditelná poškození nebo poruchy
V tomto případě musí být spotřebič poslán do servisu, aby se předešlo rizikům.
- Pokud je poškozen napájecí kabel, musí být vyměněn výrobcem, jeho servisním zástupcem nebo podobně kvalifikovanou osobou (*), aby se zabránilo nebezpečím. Všechny opravy by měl provádět kompetentní kvalifikovaný elektrikář (*). Nikdy se nepokoušejte otevřít nebo opravovat spotřebič sami, mohlo by dojít k riziku úrazu elektrickým proudem.

(*) Kompetentní kvalifikovaný elektrikář: poprodejšího oddělení výrobce, nebo dovozce, či jakákoliv osoba, která je kvalifikovaná, schválená a kompetentní k provádění tohoto druhu oprav, aby se předešlo nebezpečí. V každém případě byste měli vrátit spotřebič tomuto elektrikáři.

Rozsah dodávky

- Komerční indukční vaříč
- Návod k použití

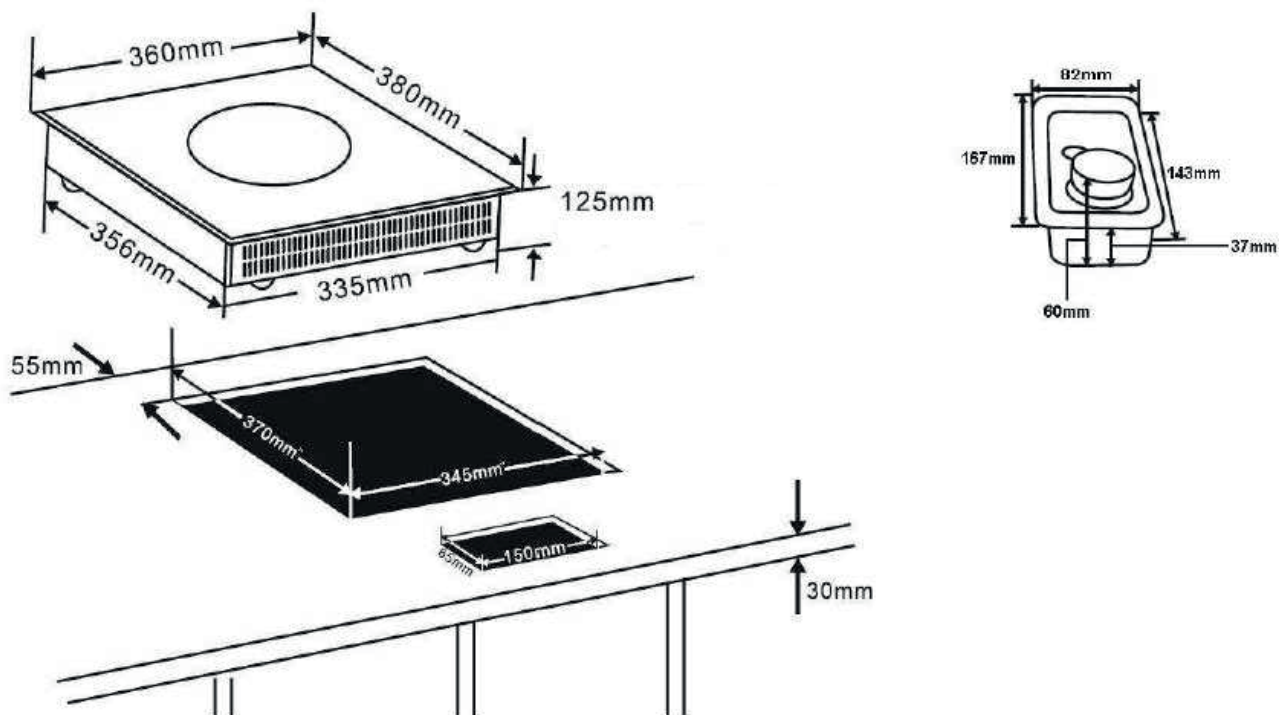
Před prvním použitím

- Odstraňte všechny součásti obalu a ujistěte se, že přístroj je v perfektním stavu.
- Před prvním použitím vyčistěte povrch jednotky mírně navlhčeným hadříkem a vysušte jej (viz " POKYNY PRO ČIŠTĚNÍ ").

Zabudovaná instalace

Před instalací indukčního vaříče do skříně v kuchyni.

- Ujistěte se, že povrch indukčního vaříče je naprosto čistý.
- Ujistěte se, že rám indukčního vaříče je plochý
- Ujistěte se, že povrch skříně je naprosto plochý.
- Nejdůležitější věcí je : Ujistěte se, že rozměry a vzdálenost indukčního vaříče, zabudovaného do skříně, jsou naprosto správné.(Viz " Schéma zabudování" níže).



Provoz

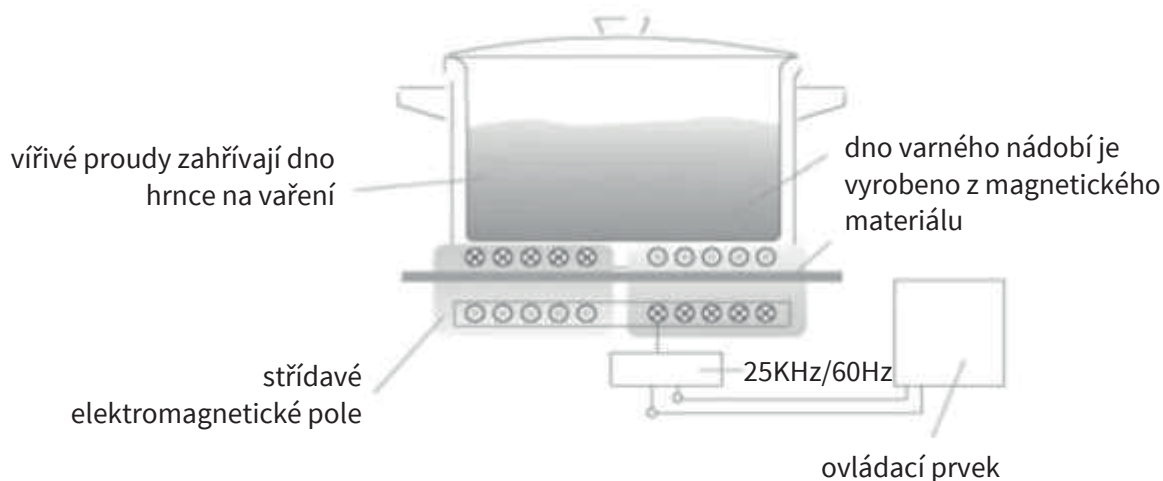
Upozornění! Nebezpečí popálení! Povrch varné desky je během používání horký! Nedotýkejte se horkého povrchu varné desky, horkého nádobí nebo jiných horkých částí.

Upozornění! Požár nebezpečí 1. Vždy udržujte dostatečnou vzdálenost od stěn, nábytku, záclon nebo ručníků. Spotřebič nesmí být umístěn vedle snadno hořlavých předmětů. Ujistěte se, že se kabel nedotýká horkých částí spotřebiče, jako například topné desky.

Když je spotřebič v provozu, ujistěte se, že nikdy nepřijde do kontaktu s hořlavými materiály, jako jsou záclony, plátno, papír atd., jinak může dojít k požáru. Nikdy nepřemísťujte spotřebič, když je horký. Před čištěním a uložením nechte spotřebič dostatečně vychladnout. Nikdy nepoužívejte ani neumísťujte spotřebič do blízkosti plotýnek nebo horkých pečících trub.

Funkční režimy a výhody indukčního vařiče

Funkce indukčního vařiče



- Varné nádobí musí být feromagnetické. Před zapnutím spotřebiče vždy umístěte feromagnetické nádobí do středu pole vaření

Speciální poznámky pro vaši bezpečnost:

- Osoby s kardiostimulátory nejsou podle znalostí dnešních norem v ohrožení. V případě zneužití nebo nějaké nepříznivé situace, neumíme odstranit zbyvajících rizika. Doporučujeme osobám s kardiostimulátory poradit se s lékařem před použitím indukčních vaříčků. Osoby s kardiostimulátorem by měly udržovat minimální vzdálenost 60 cm od spotřebiče, když je v provozu.
- Aby se zabránilo rizikům, nepokládejte velmi velké feromagnetické předměty (to je lívanečníky) na varnou zónu skleněného pole. Nepokládejte jiné feromagnetické předměty kromě nádobí (tj. kreditní karty, TELEVIZI, rádio, kazety) do blízkosti nebo na skleněný povrch indukční varné desky, když je spotřebič provozu.
- Spotřebič umístěte na stabilní, plochý a suchý povrch, který je dostatečně velký, aby mohl spotřebič pracovat bez problémů, a vyloučilo se riziko jeho spadnutí. Nepokládejte spotřebič na hořlavé povrchy (stolní ubrus,...). Neumísťujte spotřebič do blízkosti nebo na horké povrchy nebo jiná výkonná topná zařízení (např. vaříče, otevřený oheň, ohříváče ...).
- Používejte pouze pánve a jiné nádoby vhodné a určené pro použití s indukční varnou deskou se správným průměrem minimálně 20 až 26 cm. Toto zajistí nejlepší výsledek.
- Nedoporučuje se pokládat kovové nádoby (např. nože, hrnce nebo víka pánví, atd.) na varnou desku v době zapnutí spotřebiče; mohly by se stát brzy horkými.
- Nezastrkávejte žádné předměty (např. dráty, nebo nástroje) do ventilačních otvorů.
- **Upozornění!** Mohlo by dojít k úrazu elektrickým proudem.
- Nedotýkejte se horkého povrchu skleněného pole. Prosím povšimněte si: i když se při vaření indukční varná deska sama nezahřívá, ohřívá se však během vaření od ohřátého nádobí!

System indukčního vaření

Indukční varná deska a nádobí umístěné na ní umísťené tvoří z důvodu elektromagnetizmu jednu jednotku.

Vznikající energie se změnil na teplo přímo do spodku nádoby.

Tím se zamezí ztrátám tepla, které jsou způsobeny konstantním zahříváním a trvalým udržováním tepla u standardních varných desek. Indukční varné desky není nutné předehtvat. Při jejich připojení jsou vždy v "Pohotovostním režimu", a to bez jakékoli spotřeby energie.

Technický provozní režim

Měděná indukční cívka pod skleněným talířem generuje střídavé elektro-magnetické pole.

Vířivé proudy vytvářejí magnetické pole, které přímo zahřívá spodní části nádobí na vaření. Tyto vířivé proudy se okamžitě mění na teplo. Skleněná deska zůstává sama o sobě studenou. Ale horké dno nádoby na vaření převádí své teplo na skleněnou desku, a tak ji zahřívá. To znamená úsporu času a energie, protože ve srovnání s běžnými varnými deskami je nádobí na vaření vyhříváno, nikoli topný článek a skleněná deska sama o sobě. Tepelný příkon se okamžitě přizpůsobí změněným nastavením, a může být řízen po malých krocích. Indukční varná deska reaguje na změny nastavení stejně jako plynový sporák. Energie dosáhne hrnce okamžitě, aniž bychom museli ohřát jako první jiné prvky. Indukční technologie spojuje rychlou reakci se základní výhodou vysoce přesného nastavení spotřeby tepla

Nádobí vhodné pro vaření

Nejdůležitější je, aby tepelná vodivost nádobí na vaření byla extrémně dobrá, aby tak bylo zaručeno konstantní rozložení tepla. Dno nádobí na vaření, použité s indukční deskou, musí být magnetické (feromagnetické). Doporučují se pro použití smaltované hrnce vyrobené z magnetické oceli, pečící plechovky vyrobené z litiny nebo speciální nerezové oceli, nádobí na vaření se spodkem ze speciální oceli "sendvič". Vhodné nádobí na vaření prodávají specializované obchody. Vhodné je veškeré nádobí na vaření se symbolem spirály, vyrytým do jeho spodní části.

Tip: Provedte test s magnetem u nádobí, které máte v plánu používat, zda je vhodné pro indukční vaření.

Poznámka: Nepoužívejte nádobí na vaření vyrobené ze skla, keramiky, nebo hliníku. Tento druh nádobí na vaření není vhodný pro použití s indukčním vaříčem.

Výhody indukčního vařiče

- Přenos energie pouze tehdy, když je nádobí položeno na varnou desku = maximální úspora energie (až o cca 50 %)
- Teplo je generováno ve spodní části nádoby a okamžitě směřováno do potravin. Daný výkon je okamžitě absorbován do nádobí na vaření. Toto zaručuje extrémně velkou rychlost vaření.
- Vysoká účinnost při předvaření a minimální spotřeba energie během vaření, snižují celkovou spotřebu energie až o 30 %
- Přesné ovládání zaručuje rychlý a pevně zaměřený tepelný příkon.
- V podstatě zůstává prostor vaření studený, pouze přeměrování tepla z nádobí jej ohřívá.
- Jelikož je indukční varná deska ohřívána pouze zahřátým nádobím, je sníženo riziko přepálení nebo přepečení zbytků potravin uvnitř. Indukční varná deska nezůstává tak dlouho horkou, jako je tomu u standardní varné desky (snadné čištění).
- Když je nádobí odebráno, přepne se spotřebič automaticky do Pohotovostního režimu.
- Zařízení rozpozná, zda je na varnou desku umístěno vhodné nádobí. Pokud není, není přenášena žádná energie.
- Při provozu indukční varné desky s prázdným nádobím, teplotní čidlo vypne funkci topení v případě přehřívání.

Provoz zařízení

Upozornění! Nikdy nenechávejte přístroj bez dozoru, když je v provozu!

Prosím, postupujte při nastavování spotřebiče podle následující pořadí. Můžete nastavit teplotu (C° stupňů) dotykovou klávesou senzoru a dobu vaření (v minutách), pomocí spínače "+" nebo "-".

Tento spotřebič má 1 indukční varnou desku.

Výkonostní stupně: 1 / 2 / 3 / 4 / 5 / 6 / 7 / 8 / 9 / 10

Teplotní stupně: 60 / 80 / 100 / 120 / 140 / 160 / 180 / 200 / 240 °C

Tip: Při zapnutí jednotky bude výchozí teplotní úroveň 180.

Před připojením spotřebiče vždy umístěte vhodné nádobí na vaření naplněné jídlem na střed indukční varné desky. V opačném případě se zobrazí chybová funkce (viz kapitola "Bezpečnostní funkce").

- Zastrčte zástrčku do vhodné zásuvky, zazní dlouhý akustický signál.
- Na displeji se zobrazí jako první **0000**, a pak se automaticky přepne do Pohotovostního režimu.
- Nyní stiskněte spínač **ZAP/VYP** pro zapnutí zařízení. Zazní krátký akustický signál (vždy, když stisknete tlačítko znovu, nebo stisknete nové tlačítko, zazní krátký akustický signál). Ventilátor uvnitř začne pracovat. Na displeji se zobrazí **180**. To je automatická předvolba. Spotřebič je nyní v režimu teploty. Vyberte vyšší nebo nižší požadovanou teplotu klávesou čidla (nastavitelná teplota 60 - 240 °C). Můžete provést úpravy režimu teploty ručně otáčením koleček.
- Pokud je potřeba, stiskněte tlačítko "funkce" pro naprogramování doby vaření. Nastavení požadované doby vaření se provádí stisknutím šipkových tlačítek. Tato doba je nastavitelná v rozmezí 0 - 180 minut (po 5-ti minutových krocích). Toto je doplňkový časovač. Pokud jste nenastavili časovač, bude nastaven na výchozí hodnotu 180 minut a potom se z bezpečnostních důvodů vypne.
- Blokovací klíč, Stiskněte tlačítko "Zámek" po dobu 5 sekund. Indukční deska přechází k uzamčení ovládacího panelu, s výjimkou tlačítka ZAP/VYP. Pomocí klávesy "Zámek", bude indukční vařič odemknout.

Doba vaření bude indikována na displeji odpočítáváním minut. Když doba vaření je dokončena, bude toto indikováno několika akustickými signály, a jednotka se automaticky vypne. Po dokončení vaření nebo udržování procesu teploty, vždy vypněte zařízení a vytáhněte kabel. Všechny funkce lze nastavit ručně stisknutím příslušných tlačítek. Doporučujeme, abyste postupovali podle pokynů v kapitole "Obsluha zařízení". Příklad nepoužívejte, pokud vykazuje jakékoli známky poškození nebo poruch; v takovém případě se prosím obraťte na zákaznický servis (viz "Reklamacce"). Nedávejte prázdné nádoby na zařízení a nenechávejte nádoby příliš dlouho na zařízení, aby se zabránilo úplnému vyvaření kapaliny. Přehřátí nádoby bude aktivovat ochranu suchého vaření zařízení.

Poznámka: Jestliže jednotka zobrazí chybový kód E2: došlo k přehřátí příliš horkým nádobím. V tomto případě odpojte spotřebič a ponechte jej zcela vychladnout.

Bezpečnostní funkce

Pokud nepoložíte nádoby, když je spotřebič připojen, ale stisknete tlačítko ZAP/VYP, zařízení se z bezpečnostních důvodů nepřepne do funkce ohřívání. V tomto případě se na displeji zobrazí nejprve 6, a pak **EO** chyby. Ozvou se vícenásobné akustické signály a jednotka se automaticky přepne do Pohotovostního režimu po cca jedné minutě. Pokud odeberete nádoby, když je spotřebič v provozu, ozvou se vícenásobné akustické signály, a na displeji se zobrazí **EO** chyby. Zařízení zastaví ohřívání a přepne se do Pohotovostního režimu po cca 1 minutě. Při výměně nádoby na povrchu skla musíte stisknout tlačítko Zap/Vyp pro opětovný restart funkce vaření.

Jestliže jednotka zobrazí chybový kód **E1**, indikuje to přehřátí snímače teploty. Toto může nastat, když je teplota desky příliš vysoká. Jednotka zastaví ohřívání. **E1** zmizí a deska bude znovu automaticky fungovat, jakmile spotřebič vychladne. Také, když má snímač poruchu, okamžitě se objeví **E1** a spotřebič se okamžitě vypne.

Jestliže jednotka zobrazí chybový kód **E2**: došlo k přehřátí příliš horkým nádobím. Aktivuje se ochrana odpařováním. V tomto případě odpojte spotřebič a ponechte jej zcela vychladnout. Když se zobrazí **E2**, celý indukční vařič, včetně nastavení ovládání teploty, bude zcela zablokovaný. Po 20 minutách se vypne signál **E2** a indukční vařič přejde automaticky zpět do režimu klidového stavu.

Jestliže jednotka zobrazí chybový kód **E3**: je aktivována automatická napěťová ochrana. To se může stát, pokud dochází ke kolísání napětí (např. při blescích během bouřky). Jakmile je proud zase normální, **E3** se vrátí k normální funkci.

V chybových v případech E1-3 odpojte z bezpečnostních důvodů spotřebič a nechte ho vychladnout.

Pozor: Po použití a po ukončení procesu vaření či ohřívání, vždy spotřebič VYPNĚTE a odpojte.

Vhodné a nevhodné nádobí

• Použitelné pánve

Většina indukčního ohřívacího nádobí, pánve s plochým dnem ocelové nebo litinové, ze smaltovaného železa, nerezové oceli/hrnce o průměru od 12 do 26 cm.

Smaltované hrnce ze železa, železné nebo smaltované hrnce ze železa, kastiron pánev, železný hrnec, hluboký hrnec, železná deska.

• Nepoužitelné pánve

Tepelně odolné sklo, keramické nádoby, měděné, hliníkové pánve/hrnce. Pánve/hrnce se zaobleným dnem při průměru dna menším než 12 cm.

Zaoblené dno hrnce, hliníkové a měděné hrnce, dno s menším průměrem než 12 cm, hrnec se stojany, keramické hrnce, tepelně odolné skleněné hrnce.



Čištění, údržba a skladování

Upozornění: Nebezpečí popálení a úrazu elektrickým proudem! Po použití nebo před čištěním vždy vypněte a odpojte váš spotřebič. Před čištěním a skladováním ponechte spotřebič vychladnout. Nikdy neponořujte spotřebič do vody, a ani jej nečistěte pod tekoucí vodou.

- Pouze otřete desky a povrchy z nerezové oceli vlhkým hadříkem.
- Vyčistěte zařízení po každém použití od zbytků potravin.
- Otřete skleněnou desku a plastové povrchy mírně vlhkým hadříkem.
- Ujistěte se, že do zařízení nevnikla žádná voda.
- Aby se zabránilo jakémukoli nebezpečí nebo riziku úrazu elektrickým proudem, nikdy neponořujte zařízení nebo napájecí kabel do vody nebo do jiné tekutiny. Nevkládejte toto zařízení a napájecí šňůru do myčky nádobí!
- Aby se zabránilo poškození povrchu jednotky, nikdy nepoužívejte abrazivní čisticí prostředky, čisticí houbičky nebo ostré předměty (např. kovové drátěnky) Pokud budete používat k čištění kovové předměty, může se citlivý povrch snadno poškodit poškrábáním. Vždy zacházejte se spotřebičem opatrně a bez použití jakékoliv síly.
- Používejte doplňkové čisticí kapaliny vhodné pro indukční varné desky, pro prodloužení jejich životnosti.
- K čištění zařízení nepoužívejte žádné benzínové výrobky, aby nedošlo k poškození plastových dílů a ovládacího panelu.
- Nepracujte v blízkosti zařízení s hořlavými kyselinami nebo alkalickými materiály nebo látkami, protože to může snížit životnost zařízení a způsobit explozivní hoření, když je přístroj zapnutý.
- Ujistěte se, že spodek nádobí neškrabe po oblast skla.
- Když zařízení nepoužíváte, uložte jej na suché místo. Spotřebič musí být uložen na takovém místě, které není dostupný pro děti.

Technické údaje

220 - 240 V ~ 50/60 Hz; 3500 W; IP 23

Spotřebič je testován podle předpisů CE /ROHS.

Odstranění

Poznámka k životnímu prostředí. Pokud kdykoli v budoucnu budete muset odstranit tento výrobek, prosím, vezměte na vědomí, že odpadní elektrické výrobky by neměly být likvidovány spolu s domácím odpadem.

Symbol (překřížená popelnice - je vidět na pravé straně) na balení výrobku, toto indikuje. Prosím, recyklujte v autorizovaných sběrnách odpadů.

Poradte se se svým místním úřadem nebo prodejcem o způsobu recyklace. (Směrnice o odpadu elektrických a elektronických zařízeních)



Uplatnění záruky

Nárok na záruku musí být ověřen záruční kartou a stvrzenkou s datem nákupu.

Záruční doba pro tento spotřebič je 12 měsíců. Záruka začíná od data nákupu (pokladní stvrzenka). V případě funkční poruchy můžete zaslat přístroj k vašemu prodejci, přidat informace o dané poruše, a originální doklad o koupi (což je povinné pro opravy zdarma)

V záruční době opravíme závady spotřebiče, které jsou založeny na vadě materiálu nebo na výrobní vadě, podle našeho rozhodnutí, buď opravou, nebo výměnou vadné části. Tyto povinnosti neprodlužují záruční dobu výrobku. Z tohoto nevyplývá žádný nárok na novou záruční dobu

Přesný popis reklamace zkracuje dobu vyřízení reklamace.

Omlouváme se za případné nepříjemnosti, ale jakékoli reklamace dobré vůle jsou vyloučeny.

- v případě, že dojde k rozbití, například skla, porcelánu nebo plastů
- v případě škody při dopravě, zneužití, jakož i v případě nedostatku péče, čištění a údržby, a v případě nedodržení pokynů pro obsluhu nebo pokynů pro montáž.
- v případě chemických a/nebo elektrochemických nepříznivých účinků
- v případě provozu zařízení s chybným typem proudu respektive napětí, a v případě připojení nevhodného napájecího zdroje.
- v případě abnormálních podmínek okolního prostředí a v případě zvláštních provozních podmínek,
- jakož i tehdy, kdy byly provedeny opravy neautorizovanými osobami, nebo
- pokud jsou naše spotřebiče vybaveny náhradními díly, doplňkovými částmi, nebo příslušenstvím, které nejsou originálními částmi, nebo pokud došlo ke kontaktu s nevhodným materiálem, které způsobily škody.

Podléhá technickým změnám.



INSTRUKCJE MONTAŻU I OBSŁUGI

Specyfikacja

Model	RIB-3535ET / N
Zasilanie	3500W
Napięcie	220-240V ~ 50/ 60Hz
Temperatura	60° C -240° C
Minutnik	0-180 minutes

Ważne zabezpieczenia

Aby uniknąć uszkodzenia lub niebezpieczeństwa spowodowanego niewłaściwym użytkowaniem, niniejszą instrukcję obsługi należy uważnie przeczytać i jej przestrzegać. Należy zachować instrukcję obsługi wraz z kartą gwarancyjną i paragonem. Jeśli urządzenie jest przekazywane innym osobom, należy dostarczyć również tę instrukcję obsługi.

Przeznaczenie

To urządzenie nadaje się do gotowania i smażenia do użytku domowego lub komercyjnego.

Urządzenie nie nadaje się do użytku na zewnątrz.

Zabezpieczenia muszą być ściśle przestrzegane, a urządzenie musi być używane w sposób wskazany w instrukcji. W przypadku uszkodzeń i wypadków spowodowanych niezastosowaniem się do tej instrukcji, producent nie ponosi żadnej odpowiedzialności.

- Powierzchnia płyty kuchennej wykonana jest ze szkła odpornego na temperaturę. Jeśli szklana powierzchnia jest uszkodzona - nawet jeśli pokazuje tylko bardzo małą przerwę, urządzenie nie może być już używane. W takim przypadku natychmiast należy odłączyć urządzenie.
- Urządzenie powinno być podłączone do gniazdka z uziemieniem o odpowiednim napięciu (220-240V - 50/60 Hz). Nie należy podłączać innych urządzeń elektrycznych do tego samego gniazda i używać wielu gniazd.
- Należy upewnić się, że główna instalacja zapewnia wystarczającą moc do uruchomienia tego urządzenia (patrz: tabliczka znamionową urządzenia).
- Przewód zasilający powinien być w taki sposób umiejscowiony, aby nikt nie mógł się o niego potknąć ani pociągnąć za niego, nie może wchodzić w kontakt z ostrymi krawędziami i gorącymi przedmiotami.
- Dodatkową ochronę można uzyskać, montując wyłącznik uziemiający (IF=30mA) w instalacji domowej. W tej sprawie należy skonsultować się z wykwalifikowanym elektrykiem.



Uwaga! Urządzenie elektryczne to nie zabawka! Nigdy nie należy pozostawiać urządzenia bez nadzoru. Urządzenie nie jest przeznaczone do użytku przez osoby (w tym dzieci) o ograniczonych możliwościach fizycznych, sensorycznych lub umysłowych lub bez doświadczenia i wiedzy. Dzieci powinny być pod nadzorem dorosłych, aby mieć pewność, że nie bawią się urządzeniem.

- Należy wyjaśnić dzieciom wszystkie zagrożenia, które mogą być spowodowane prądem elektrycznym.
- Niebezpieczeństwo ciepła lub gorącej pary
- Niebezpieczeństwo ostrych krawędzi
- Niebezpieczeństwo spowodowane prądem elektrycznym
- Trzymaj urządzenie w miejscu niedostępnym dla dzieci lub osób, które nie mogą prawidłowo obsługiwać urządzeń elektrycznych. Po podłączeniu przewód nie powinien być osiągany przez dzieci, aby uniknąć zagrożenia.
- Nie pozostawiaj elementów opakowania (plastikowe torby, tektura, polistyren itp.) w zasięgu dzieci - niebezpieczeństwo uduszenia.
- Uwaga! Niebezpieczeństwo porażenia prądem! Nie zanurzaj przewodu, wtyczki lub urządzenia w wodzie lub innym płynie, aby uniknąć ryzyka porażenia prądem.
- nigdy nie umieszczaj urządzenia na mokrym podłożu,
- aby uniknąć porażenia prądem elektrycznym lub zwarcia, nigdy nie pozwól, aby przewód zwiisał w wodzie, innych płynach lub nad umywalką,
- nie używać urządzenia podczas stania na mokrym podłożu lub jeśli ręce lub urządzenie są mokre,
- nie wlewać ani nie kapać żadnych płynów na podstawę silnika lub przewód. Gdy płyny zostaną rozlane na podstawę silnika, natychmiast wyłącz, odłącz i pozwól dokładnie wysuszyć podstawę silnika,
- nigdy nie myj urządzenia i przewodu zasilającego w zmywarce.



• **Uwaga!**

Niebezpieczeństwo spalania i pożaru! Nigdy nie dotykaj ogrzewanych powierzchni dłońmi lub innymi częściami skóry. Nigdy nie umieszczaj na urządzeniu innych przedmiotów niż naczynia kuchenne, gdy jest podłączony do zasilania. Nie umieszczaj pustych garnków ani innych pustych naczyń kuchennych na aplikacji, gdy działa.

- Podczas pracy elektrycznych urządzeń grzewczych (takich jak płyty grzejne, patelnie lub gorące patelnie) należy uważać, aby osiągnąć wysokie temperatury, które mogą spowodować poważne obrażenia. Proszę używać uchwyty lub ściereczki do garnka, jeśli to konieczne. Poinformuj również inne osoby korzystające z tego urządzenia.
- Używaj przedmiotu tylko na powierzchniach żaroodpornych, takich jak kamień lub ceramika i nie umieszczaj urządzenia w pobliżu lub na gorących powierzchniach lub w pobliżu innych silnych urządzeń grzewczych.
- Aby uniknąć zatorów cieplnych, nie umieszczaj urządzenia bezpośrednio obok lub pod szafką ścienną. Upewnij się, że istnieje wystarczająca bezpieczna odległość w stosunku do przedmiotów, które mogą łatwo się stopić lub rozpaść. Nie przechowuj żadnych przedmiotów, które mogą łatwo stopić się lub rozpaść w pobliżu urządzenia.
- Nie należy blokować dopływu powietrza i wentylacji urządzenia.
- Nigdy nie umieszczaj ani nie używaj urządzenia na dywanach, tkaninach lub innych przedmiotach, które są łatwo łatwopalne.
- Nie umieszczaj żadnych chusteczek, tkanin ani innych przedmiotów, które są łatwo łatwopalne pod lub na urządzeniu, aby uniknąć ryzyka pożaru lub porażenia prądem. Nigdy nie trzymaj łatwopalnych produktów w pobliżu urządzenia, mogą się zapalić.
- Nie umieszczaj żadnych pustych pojemników, garnków ani żadnych metalowych przedmiotów na urządzeniu podczas pracy. Nigdy nie przegrzewaj naczyń kuchennych.
- Nigdy nie ciągnij za przewód, aby przesunąć urządzenie. Nigdy nie przesuwaj urządzenia podczas pracy lub z gorącymi naczyniami. Niebezpieczeństwo spalania!
- W przypadku płomieni nigdy nie próbuj gasić wodą, ale weź wilgotną szmatkę.

• **Jeśli urządzenie wyświetla kod błędu EO:**

brak naczyń kuchennych na płycie kuchennej lub naczynia do gotowania nie nadają się do użycia w tej kuchence; kuchenka automatycznie wyłącza się i wyświetli się błąd EO,

• **Jeśli urządzenie wyświetla kod błędu E1: przegrzanie czujnika temperatury:**

może się to zdarzyć, gdy temperatura płyty jest zbyt wysoka. Urządzenie przestanie się nagrzewać. E 1 zniknie, a płyta będzie działać ponownie automatycznie po schłodzeniu urządzenia. Również wtedy, gdy czujnik jest niesprawny, E1 pojawia się natychmiast, a maszyna natychmiast się wyłączy.

• **Jeśli urządzenie wyświetla kod błędu E2:**

zostało przegrzane przez zbyt gorące naczynia. Aktywuje się ochrona przed gotowaniem na sucho. W takim przypadku odłącz urządzenie i pozwól mu całkowicie ostygnąć. Po wyświetleniu E2 cała kuchenka indukcyjna wraz z ustawieniem regulacji temperatury zostanie całkowicie zablokowana na około 20 minut, sygnał E2 wyłącza się, a kuchenka indukcyjna automatycznie wraca do trybu czuwania.

• **Jeśli urządzenie wyświetla kod błędu E3:**

automatyczna ochrona napięcia została aktywowana. Może się to zdarzyć, gdy występują wahania napięcia (np. gdy piorun podczas burzy). Gdy tylko prąd znów będzie normalny, E3 wraca do normalnego funkcjonowania.

• **Nie umieszczaj żadnych przedmiotów ferromagnetycznych w pobliżu urządzenia (np. telewizora, radia, kart kredytowych, kaset itp.)**

• **Nie umieszczaj pustych naczyń na szklanym polu Ogrzewanie pustego garnka lub patelni aktywuje zabezpieczenie przed przegrzaniem, a urządzenie wyłączy się po pewnym czasie.**

- **Nie należy obsługiwać urządzenia, jeśli jest ono w jakikolwiek sposób uszkodzone lub nie działa prawidłowo.**
- **Nie używaj go, gdy urządzenie lub jakiegokolwiek jego części są uszkodzone, aby uniknąć wszelkiego ryzyka. Urządzenie ulega uszkodzeniu w przypadku pęknięć, nadmiernie złamanych lub postrzępionych części, odkształceń lub przecieków. W takim przypadku należy natychmiast zaprzestać używania urządzenia i skontaktować się z serwisem.**
- **Po każdym użyciu odczekaj, aż urządzenie wystarczająco ostygnie i wyczyść je lekko wilgotną ściereczką, aby zapobiec uszkodzeniu powierzchni. Zawsze postępuj ostrożnie. Nie używaj żadnych ściernych środków czyszczących ani środków czyszczących klocki, aby uniknąć uszkodzenia. Do czyszczenia urządzenia nie używaj żadnych ostrych ani twardych przedmiotów. Nie pozostawiaj suchych resztek jedzenia na powierzchniach urządzenia.**

- Przechowuj urządzenie w suchym, czystym miejscu, zabezpieczonym przed mrozem, nadmiernym obciążeniem (porażeniem mechanicznym lub prądem, wysoką temperaturą, wilgocią) i poza zasięgiem dzieci.
- Stosowanie akcesoriów i części zamiennych, które nie są zalecane przez producenta, może spowodować uszkodzenie urządzenia lub obrażenia ciała.
- Odłącz urządzenie od zasilania po każdym użyciu i gdy urządzenie nie jest używane przed wymianą akcesoriów lub czyszczeniem urządzenia
- Aby odłączyć urządzenie nigdy nie ciągnij za przewód, chwyć wtyczkę bezpośrednio za obudowę i odłącz.
- Od czasu do czasu sprawdzaj, czy przewód nie jest uszkodzony. Nigdy nie używaj urządzenia, jeśli przewód lub urządzenie nosi ślady uszkodzeń, ponieważ może to być niebezpieczne.

• **Nie używaj urządzenia, gdy:**

- przewód zasilający jest uszkodzony
- upadła i wykazuje widoczne uszkodzenia lub awarię

W takim przypadku urządzenie należy wysłać do centrum serwisowego, aby uniknąć wszelkiego ryzyka.

- Jeśli przewód zasilający jest uszkodzony, musi zostać wymieniony przez producenta, jego przedstawiciela serwisowego lub podobnie wykwalifikowaną osobę (*) w celu uniknięcia zagrożenia. Wszystkie naprawy powinny być wykonywane przez kompetentnego, wykwalifikowanego elektryka (*). Nigdy nie próbuj samodzielnie otwierać ani naprawiać urządzenia, aby uniknąć ryzyka porażenia prądem.

(*) Kompetentny wykwalifikowany elektryk: dział posprzedażny producenta lub importera lub każda osoba, która jest wykwalifikowana, zatwierdzona i kompetentna do wykonywania tego rodzaju napraw w celu uniknięcia wszelkiego niebezpieczeństwa. W każdym przypadku należy zwrócić urządzenie temu elektrykowi.

Zakres dostawy

- Płyta indukcyjna
- Instrukcja obsługi

Przed pierwszym użyciem

- Usuń wszystkie elementy opakowania i upewnij się, że urządzenie jest w idealnym stanie.
- Przed pierwszym użyciem wyczyść powierzchnię urządzenia lekko wilgotną ściereczką i wysusz (patrz „INSTRUKCJA CZYSZCZENIA”).

Użytkowanie

Ostrzeżenie!

Niebezpieczeństwo poparzenia!

Powierzchnia płyty grzejnej jest gorąca podczas użytkowania!

Nie dotykaj gorącej powierzchni do gotowania, gorących naczyń lub innych gorących części.

Ostrzeżenie!

Niebezpieczeństwo pożaru!

Zawsze zachowuj odpowiednią odległość od ścian, zasłon, mebli lub ręczników.

Urządzenia nie wolno umieszczać w pobliżu łatwopalnych przedmiotów.

Upewnij się, że przewód nie dotyka gorących części urządzenia, takich jak płyta grzewcza.

Podczas pracy upewnij się, że urządzenie nigdy nie styka się z materiałami łatwopalnymi, takimi jak zasłony, tkaniny, papier itp., ponieważ może dojść do pożaru.

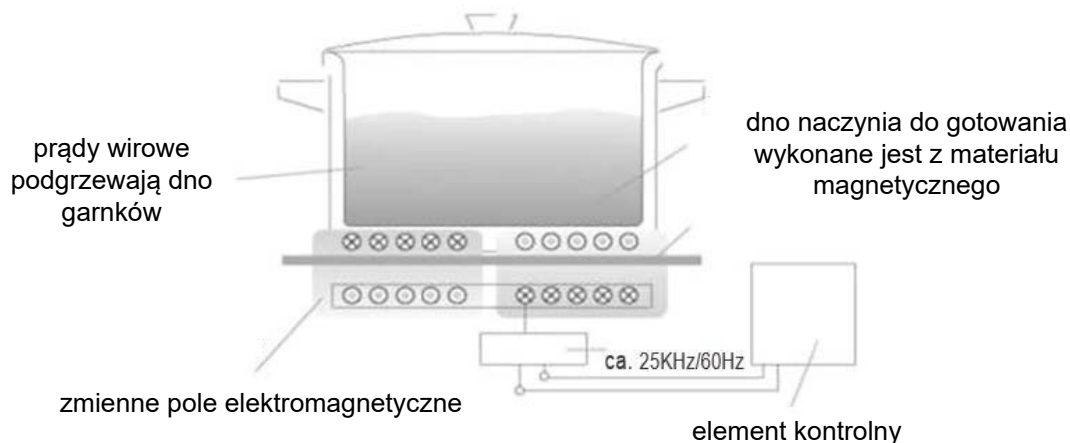
Nigdy nie przenoś urządzenia, gdy jest gorące.

Przed czyszczeniem i przechowywaniem poczekaj, aż urządzenie ostygnie.

Nigdy nie używaj ani nie umieszczaj urządzenia w pobliżu płyty grzejnej lub gorącego piekarnika.

Tryb funkcji i zalety produktu indukcyjnej płyty kuchennej

Funkcja płyty indukcyjnej



- Naczynie musi być ferromagnetyczne. Przed włączeniem urządzenia należy zawsze umieszczać naczynie ferromagnetyczne pośrodku pola do gotowania.

Specjalne uwagi dotyczące Twojego bezpieczeństwa:

- Osoby z rozrusznikami serca, zgodnie z dzisiejszymi standardami wiedzy, nie są zagrożone. W przypadku niewłaściwego użytkowania lub niekorzystnej sytuacji nie możemy wyeliminować pozostałych zagrożeń. Dlatego osobom z rozrusznikami serca zalecamy konsultację z lekarzem przed użyciem indukcyjnych płyt grzewczych. Osoby z rozrusznikiem serca powinny zachować minimalną odległość 60 cm od urządzenia podczas jego pracy.
 - Aby uniknąć wszelkiego ryzyka, nie umieszczaj bardzo dużych przedmiotów ferromagnetycznych (np. patelni) w strefie gotowania pola szklanego. Nie umieszczaj innych przedmiotów ferromagnetycznych niż naczyń kuchennych (np. karty kredytowe, telewizor, radio, kasety w pobliżu lub na indukcyjną płytę grzejną, gdy pracuje).
 - Ustaw urządzenie na stabilnej, płaskiej i suchej powierzchni, która jest wystarczająco duża, aby bezproblemowo pracować, aby wyeliminować ryzyko upadku. Nie umieszczaj urządzenia na powierzchniach łatwopalnych (np. na obrusie). Nie umieszczaj urządzenia w pobliżu lub na gorących powierzchniach lub innych silnych urządzeniach grzewczych (np. kuchenkach, otwartym ogniu, grzejnikach).
 - Używaj garnków i innych przyborów, które są odpowiednie i przeznaczone do użytku z indukcyjnymi płytami kuchennymi i mają odpowiednią średnicę tylko od 20 do 26 cm. To zagwarantuje najlepszy wynik.
 - Zaleca się, aby nie ciągnąć metalowych przyborów (tj. noży, pokrywek garnków lub patelni itp.) na płytę grzewczą w przypadku włączenia urządzenia, mogą się nagrzać.
 - Nie wkładaj żadnych przedmiotów (np. przewodów lub narzędzi do otworów wentylacyjnych).
- Uwaga!** Może to spowodować porażenie prądem.
- Nie dotykaj gorącej powierzchni szklanego pola. Uwaga! Mimo że płyta indukcyjna nie nagrzewa się podczas gotowania, temperatura podgrzanego naczynia podgrzewa płytę do gotowania.

Indukcyjna płyta kuchenna i umieszczone na niej naczynie tworzą jedną jednostkę dzięki elektromagnetyzmowi. Wydobywająca się energia zmienia ciepło ino bezpośrednio w dnie naczynia.

Pozwala to uniknąć strat ciepła spowodowanych ciągłym ogrzewaniem i ciągłym utrzymywaniem ciepła na standardowych płytach do gotowania. li nie jest konieczne do wstępnego podgrzewania indukcyjnej płyty kuchennej. Po podłączeniu il zawsze znajduje się w „trybie gotowości”, bez żadnego zużycia energii.

Techniczny tryb pracy

Miedziana szpula indukcyjna pod szklaną płytą generuje zmienne pole elektromagnetyczne. Prąd wirowy wytwarza pola magnetyczne, które bezpośrednio podgrzewają dno naczynia do gotowania. Prąd wirowy natychmiast zmienia ciepło. Sama szklana płyta pozostaje zimna. Ale gorące dno naczynia oddaje ciepło na szklaną płytkę i nagrzewa się. Oznacza to oszczędność czasu i energii, ponieważ w porównaniu ze zwykłymi płytami grzewczymi nagrzewa się naczynie, a nie element grzejny i sama płyta szklana. Doprowadzanie ciepła szybko dostosowuje zmienione ustawienia i można je regulować małymi krokami. Płyta indukcyjna reaguje na zmianę ustawień tak samo jak kuchenka gazowa.

Energia dociera do garnka natychmiast, bez konieczności wcześniejszego podgrzewania innych materiałów. Technologia indukcyjna łączy szybką reakcję z podstawową zaletą bardzo precyzyjnej regulacji zużycia ciepła.

Odpowiednie naczynia kuchenne

Najważniejsze jest to, że przewodność cieplna naczyń kuchennych jest bardzo dobra, aby zagwarantować stałą dystrybucję ciepła. Dno naczynia używanego z płytą indukcyjną musi być magnetyczne (ferromagnetyczne). Do stosowania polecane są garnki emaliowane ze stali magnetycznej, brytfanny z żeliwa lub specjalne naczynia ze stali nierdzewnej ze specjalnym stalowym dnem typu „sandwich”. Odpowiednie naczynia do gotowania sprzedawane są przez wyspecjalizowany handel. Odpowiednie są wszystkie naczynia z wytłoczonym na dnie symbolem spirali.

Wskazówka:

Przetestuj za pomocą magnesu, czy naczynia, których zamierzasz użyć, nadają się do gotowania indukcyjnego.

Uwaga: Nie używaj naczyń szklanych, ceramicznych lub aluminiowych.

Ten rodzaj naczyń nie nadaje się do użytku z indukcyjną płytą grzejącą.

Zalety płyty indukcyjnej

- Przenoszenie energii tylko wtedy, gdy naczynia są umieszczone na płycie grzewczej = maksymalna oszczędność energii (do ok. 50%).
- Ciepło jest wytwarzane na dnie naczynia i jest natychmiast kierowane na żywność. Wstępne ustawienie mocy jest natychmiast wchłaniane przez naczynie. Gwarantuje to niezwykle wysoką prędkość gotowania.
- Wysoka skuteczność podczas rozparzania i minimalne zużycie energii podczas gotowania zmniejsza całkowite zużycie energii do 30%.
- Precyzyjne sterowanie gwarantuje szybkie i ściśle skoncentrowane doprowadzenie ciepła.
- Zasadniczo strefa gotowania pozostaje zimna, tylko przekierowanie ciepła naczynia do gotowania powoduje jego podgrzanie.
- Ponieważ płyta do gotowania indukcyjnego jest podgrzewana tylko przez nagrzane naczynia, zmniejsza się ryzyko przypalenia lub przypalenia resztek jedzenia. Płyta indukcyjna nie pozostaje gorąca tak długo, jak standardowe płyty do gotowania (łatwe czyszczenie).
- Po wyjęciu naczynia urządzenie automatycznie przełącza się w tryb gotowości.
- Urządzenie wykrywa, czy na płycie grzejnej umieszczono odpowiednie naczynia. Jeśli nie, energia nie jest przesyłana.
- Podczas obsługi płyty indukcyjnej z pustym naczyniem czujnik temperatury wyłącza się funkcja grzania w przypadku przegrzania.

Obsługa urządzenia



Ostrzeżenie! Nigdy nie pozostawiaj pracującego urządzenia bez nadzoru!

Podczas regulacji urządzenia należy postępować zgodnie z poniższą sekwencją.

Możesz regulować temperaturę (C0 stopni) za pomocą przycisku czujnika dotykowego i czasu gotowania (minuty) w ramach przełącznika "+" lub "-"

Urządzenie jest wyposażone w 1 płytę indukcyjną.

Poziomy mocy:

500/700/900/1200/1500/1800/2000/2300/2700/3000/3300/3500 W

Poziomy temperatury:

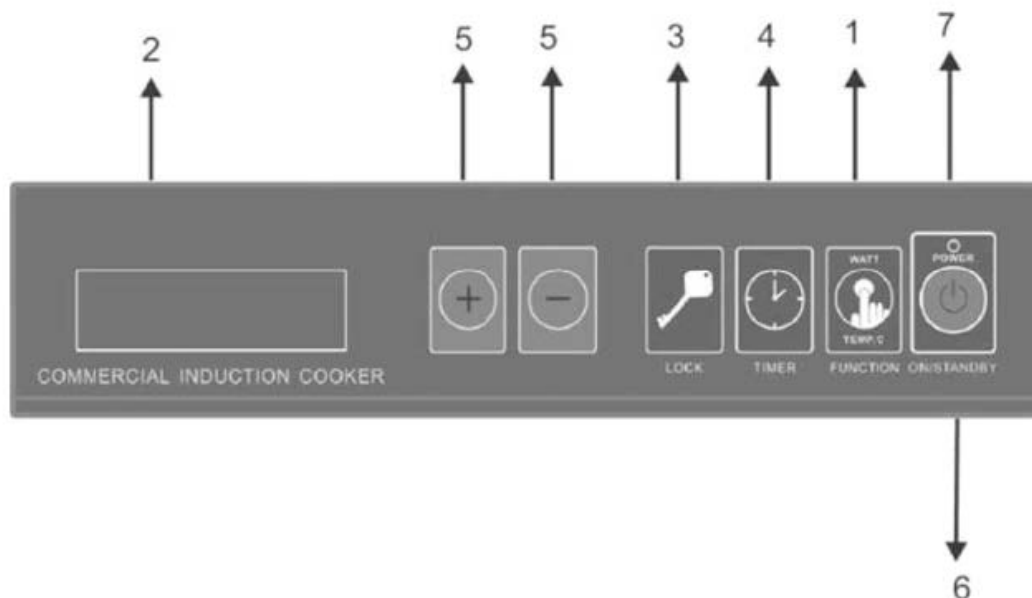
60 | 80 | 100 | 120 | 140 | 160 | 180 | 200 | 240 °C

ustawienie czasu:

O - 180 minut (w krokach co 5 minut) (domyślnie 180, jeśli nie zostanie ustawione)

Wskazówka: Po włączeniu urządzenie ustawi się domyślnie na poziom temperatury 180.

- Przed podłączeniem należy zawsze umieszczać na indukcyjnej płycie grzejnej odpowiednie naczynie wypełnione żywnością. W przeciwnym razie wystąpi funkcja błędu (patrz rozdział „Funkcja sprzedaży”).
- Włóż wtyczkę do odpowiedniego gniazdka, rozlegnie się długi sygnał dźwiękowy. Wyświetlacz pokazuje pierwsze 0000, a potem automatycznie przełącza się na tryb gotowości.
- Teraz naciśnij przełącznik ON/OFF, aby włączyć urządzenie. Rozlega się krótki sygnał dźwiękowy (po ponownym naciśnięciu przycisku lub nowym przycisku rozlega się krótki sygnał dźwiękowy). Wentylator wewnątrz zaczyna działać. Wyświetlacz pokazuje teraz 180. Jest to automatyczne ustawienie wstępne. Urządzenie jest teraz w trybie temperatury. Wybierz żadaną temperaturę wyższą lub niższą za pomocą przycisku czujnika (regulowana temperatura od 60 do 240).
Możesz dokonać ręcznej regulacji temperatury za pomocą pokręteł.
- W razie potrzeby naciśnij przycisk "funkcja", aby zaprogramować czas gotowania. Ustaw żądany czas gotowania, naciskając przyciski strzałek. Czas można regulować w zakresie 0-180 minut (kroki 5 minutowe). To jest opcjonalny timer. Jeśli nie ustawisz timera, domyślnie ustawi się na 180 minut, a następnie wyłączy się ze względów bezpieczeństwa
- Zablokuj klawisz, naciśnij przycisk "Zamek" i przytrzymaj przez 5 sekund, Płytką indukcyjną przejdzie do panelu sterowania blokującego, Z wyjątkiem przycisku ON/OFF klawisz "Blokada", kuchenka indukcyjna zostanie odblokowana.



- 1 = Klawisz funkcyjny wyboru do zmiany mocy i temperatury podtrzymania
- 2 = Wyświetlacz LCD pokazuje tryb regulacji
- 3 = Blokada rodzicielska Sterowanie kluczem
- 4 = Przycisk czujnika dotykowego do włączania funkcji timera inio
- 5 = Czujnik dotykowy do obracania inio Wyższy lub krótszy czas, poziomy mocy i poziomy utrzymywania temperatury
- 6 = Przełącznik ON/OFF (wł./wył.)
- 7 = Wskaźnik zasilania LED (wł./wył.)

Czas pieczenia zostanie wskazany na wyświetlaczu poprzez odliczanie minut.

Po zakończeniu czasu gotowania zostanie to zasygnalizowane kilkoma sygnałami dźwiękowymi i urządzenie wyłączy się automatycznie.

Po zakończeniu gotowania lub utrzymywaniu ciepła należy zawsze wyłączyć urządzenie i odłączyć wtyczkę. Wszystkie funkcje można regulować ręcznie, naciskając odpowiednie przyciski.

Zalecamy postępować zgodnie z instrukcjami zawartymi w rozdziale „Obsługa urządzenia”.

Nie używaj urządzenia, jeśli wykazuje oznaki uszkodzenia lub nieprawidłowego działania.

W takim przypadku skontaktuj się z obsługą klienta (patrz „Roszczenia gwarancyjne”).

Nie umieszczaj pustych naczyń do gotowania na urządzeniu i nie pozostawiaj naczyń zbyt długo na urządzeniu, aby uniknąć całkowitego wygotowania płynu.

Przegrzanie naczyń aktywuje ochronę urządzenia na sucho.

Uwaga: jeśli urządzenie wyświetla kod błędu E2, został przegrzany przez zbyt gorące naczynia. W takim przypadku należy odłączyć urządzenie od zasilania i poczekać, aż całkowicie ostygnie.

Funkcje sprzedaży



Jeśli nie włożysz naczynia do gotowania, gdy urządzenie jest podłączone, ale naciśniesz przycisk ON/OFF, urządzenie ze względów bezpieczeństwa nie przełączy się na funkcję grzania. W takim przypadku wyświetlacz pokaże najpierw 6, a następnie EO dla błędu. Zabrzmi kilka sygnałów dźwiękowych i urządzenie zostanie automatycznie przełączone na Tryb czuwania za ok. 1 minutę.

Jeśli wyjmiesz naczynie podczas pracy urządzenia, rozlegnie się wiele sygnałów dźwiękowych, a na wyświetlaczu pojawi się komunikat EO oznaczający błąd. Urządzenie przestanie się nagrzewać i przełączy się w tryb gotowości w ciągu około 1 minuty. Po odstawieniu naczynia na szklaną powierzchnię należy nacisnąć przycisk Wł./Wył., aby ponownie uruchomić funkcję gotowania.

Jeśli urządzenie wyświetla kod błędu E2, został przegrzany przez zbyt gorące naczynia. Aktywuje się ochrona przed gotowaniem na sucho. W takim przypadku odłącz urządzenie i pozwól mu całkowicie ostygnąć. Gdy wyświetli się E2, cała kuchenka indukcyjna wraz z ustawieniem kontroli temperatury zostanie całkowicie zablokowana. Po 20 minutach sygnał E2 wyłączy się, a kuchenka indukcyjna automatycznie wraca do trybu gotowości.

Jeśli urządzenie wyświetla kod błędu E 3, automatyczna ochrona napięcia została aktywowana; może się to zdarzyć w przypadku wahań napięcia w systemie zasilania (np. podczas burzy z piorunami). Gdy tylko prąd się normalny, E 3 wraca do normalnej funkcji.

W przypadkach błędów EL-3 lub powodu wyprzedzaży odłącz urządzenie i pozwól mu ostygnąć.



Uwaga: Po użyciu i po zakończeniu procesu gotowania lub podgrzewania należy zawsze WYŁĄCZYĆ i odłączyć urządzenie.

Przybory użytkowe i nie nadające się do użytku

• Użyteczne patelnie

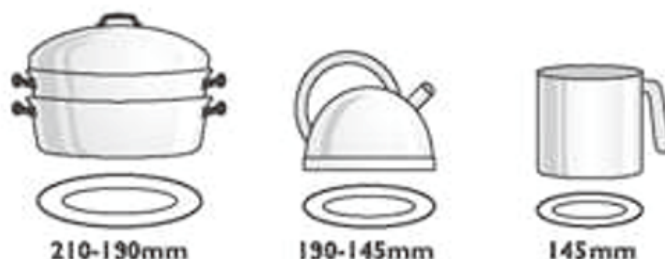
Większość naczyń do pieczenia indukcyjnych, stalowych lub żeliwnych, emaliowanych żeliwnych, ze stali nierdzewnej, płaskodennych patelni/garnków o średnicy od 12 do 26cm.

Emaliowany żelazny garnek, żelazny garnek, żelazna patelnia, garnek przeznaczony do smażenia w głębokim tłuszczu, żelazna płyta.

• Patełnie nie nadające się do użytku

Szkoło żaroodporne, pojemnik ceramiczny, patelnie/garnki miedziane, aluminiowe. Patełnie/garnki z zaokrąglonym dnem, których dno ma mniej niż 12 cm.

Zaokrąglony garnek, aluminiowa garnek miedziany, dolny pomiar mniejszy niż 12 cm, garnek ze stojakami, garnek ceramiczny, żaroodporny garnek szklany.



Symbol naczyń, które mogą być używane na kuchni indukcyjnej



Emaliowane



Żeliwne



Stal nierdzewna



Stalowe

Symbol naczyń, które nie nadają się do używania na kuchni indukcyjnej



Miedź



Szkło/ceramika



Aluminium

Czyszczenie, konserwacja i przechowywanie



Uwaga niebezpieczeństwo poparzenia i porażenia prądem! Zawsze wyłączaj i odłączaj urządzenie przed każdym użyciem i czyszczeniem. Przed czyszczeniem i przechowywaniem poczekaj, aż urządzenie ostygnie. Nigdy nie zanurzaj urządzenia w wodzie ani nie myj go pod bieżącą wodą.

- Przetrzyj płytki i powierzchnię ze stali nierdzewnej wyłącznie wilgotną szmatką.
- Wyczyść urządzenie po każdym użyciu, aby usunąć resztki jedzenia.
- Wytrzyj szklaną płytkę i plastikowe powierzchnie lekko wilgotną ściereczką.
- Upewnij się, że do urządzenia nie może dostać się woda.
- Aby uniknąć niebezpieczeństwa lub ryzyka porażenia prądem, nigdy nie zanurzaj urządzenia ani przewodu w wodzie ani w żadnym innym płynie. Nie wkładaj urządzenia i przewodu do zmywarki
- Aby uniknąć uszkodzenia powierzchni urządzenia, nigdy nie używaj ściernych środków czyszczących, gąbek czyszczących ani żadnych ostrych przedmiotów (np. metalowych druciaków). Jeśli do czyszczenia użyjesz metalowych przedmiotów, wrażliwa powierzchnia może zostać łatwo uszkodzona przez zarysowania. Zawsze należy obchodzić się z urządzeniem ostrożnie i bez użycia siły
- Zaleca się stosowanie dodatkowych płynów czyszczących do indukcyjnych płyt grzewczych w celu przedłużenia ich żywotności.
- Nie używaj produktów benzynowych do czyszczenia urządzenia, aby uniknąć uszkodzenia plastikowych części i panelu sterowania.
- W pobliżu urządzenia nie należy używać żadnych łatwopalnych materiałów ani substancji o odczynie kwaśnym lub zasadowym, ponieważ może to skrócić żywotność urządzenia i spowodować deflagrację po włączeniu urządzenia.
- Upewnij się, że dno naczynia nie ociera się o szklane pole.
- Nieużywane urządzenie należy przechowywać w suchym miejscu. Muzyka z urządzenia powinna być przechowywana w miejscu niedostępnym dla dzieci.

Dane techniczne

20V-240V - 50/60Hz, 3500W IP2 3

To urządzenie zostało przetestowane zgodnie z przepisami CE/ROHS.

Utylizacja odpadów

Uwaga dotycząca środowiska Jeśli w przyszłości konieczne będzie wyrzucenie tego produktu, należy pamiętać, że nie należy wyrzucać zużytych produktów elektrycznych z odpadami komunalnymi. Symbol (przekreślony kosz na śmieci, patrz po prawej stronie) na opakowaniu wskazuje na to. Proszę oddać do recyklingu w odpowiednich wyznaczonych miejscach.

Skontaktuj się z lokalnymi władzami lub sprzedawcą, aby uzyskać porady dotyczące recyklingu. (Dyrektywa w sprawie zużytego sprzętu elektrycznego i elektronicznego)



Roszczenia gwarancyjne

Zgłoszenie gwarancyjne należy zweryfikować kartą gwarancyjną i paragonem z datą zakupu. Okres gwarancji na to urządzenie wynosi 24 miesiące. W przypadku usterki możesz wysłać urządzenie do sprzedawcy, dołączyć informację o usterce oraz oryginalny dowód zakupu (obowiązkowy w przypadku bezpłatnej naprawy).

W okresie gwarancyjnym naprawiamy wady urządzenia oparte na wadach materiałowych lub produkcyjnych według własnego wyboru poprzez naprawę lub wymianę. Zobowiązania te nie przedłużają okresu gwarancji. Nie wynika z tego żadne roszczenie dotyczące nowego okresu gwarancji

Dokładny opis reklamacji skraca czas rozpatrywania reklamacji.

Reklamacji nie podlegają następujące przypadki:

- stłuczenia np. szkła, porcelany lub plastiku
- uszkodzenia w transporcie, niewłaściwego użytkowania, a także brak dbałości, czyszczenia i konserwacji oraz nieprzestrzeganie instrukcji obsługi lub montażu
- wszelkie skutków uszkodzeń chemicznych i/lub elektrochemicznych
- praca z niewłaściwym rodzajem prądu lub napięcia oraz podłączenie do nieodpowiednich źródeł zasilania
- nietypowe warunki środowiskowe i warunki pracy urządzenia
- efekt naprawy dokonywanej są przez osoby do tego nieupoważnione
- jeśli urządzenia są wyposażone w części zamienne, części uzupełniające lub akcesoria, które nie są częściami oryginalnymi lub jeśli kontakt z nieodpowiednim materiałem spowodował uszkodzenie urządzenia

Z zastrzeżeniem zmian technicznych.

List of service organizations:

CZ: RM GASTRO CZ s. r. o., Náchodská 818/16, Praha 9

Tel. +420 281 926 604, info@rmgastro.cz, www.rmgastro.cz

SK: RM Gastro Slovakia, Rybárska 1, Nové Město nad Váhom

Tel.: +421 32 7717061, obchod@rmgastro.sk, www.rmgastro.sk

PL: RM GASTRO Polska Sp. z o. o., ul. Skoczowska 94, 43-450 Ustroń

Tel.: +33 854 73 26, www.rmgastro.pl